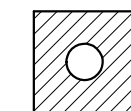
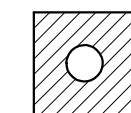
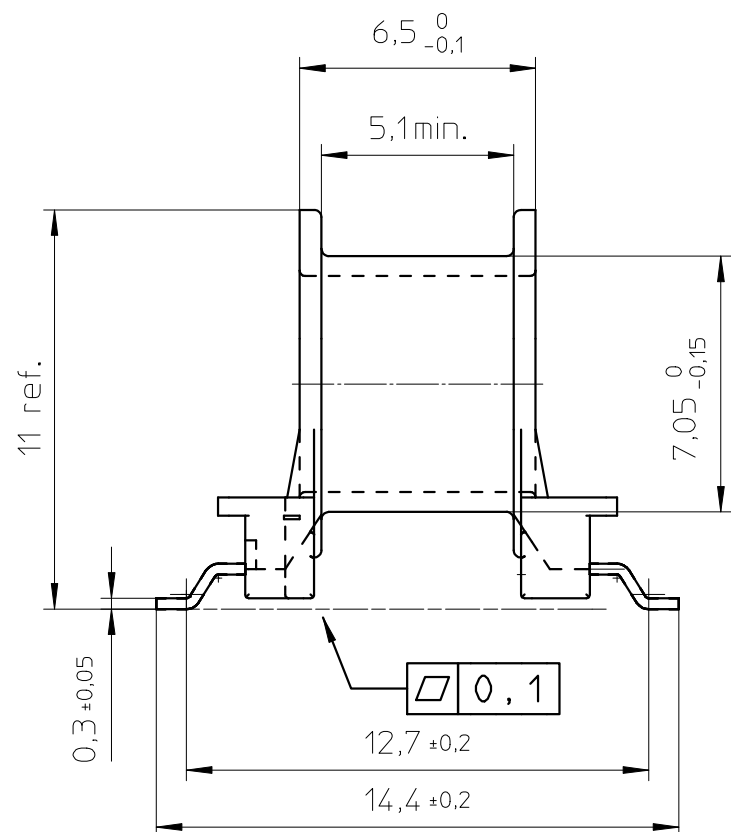
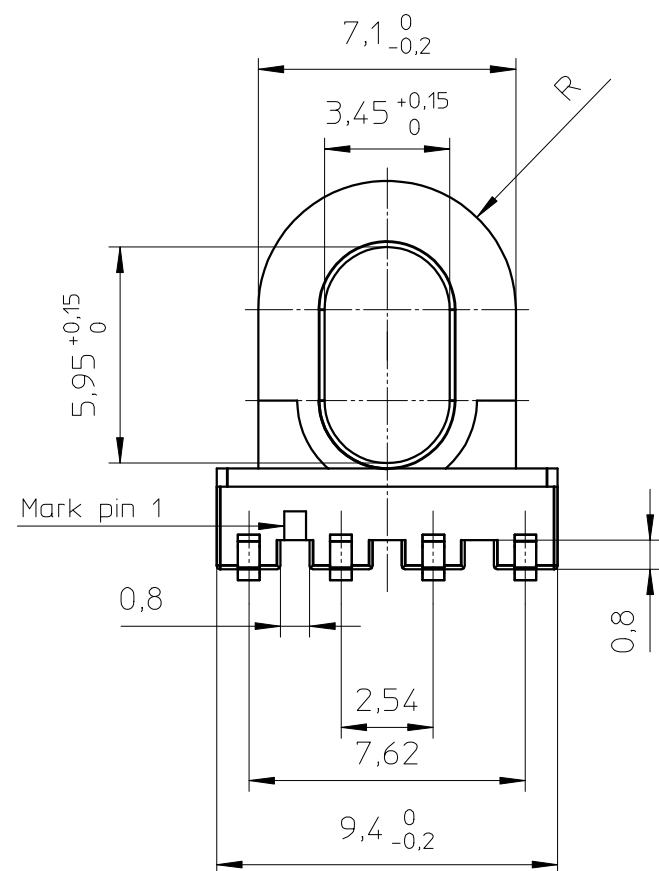
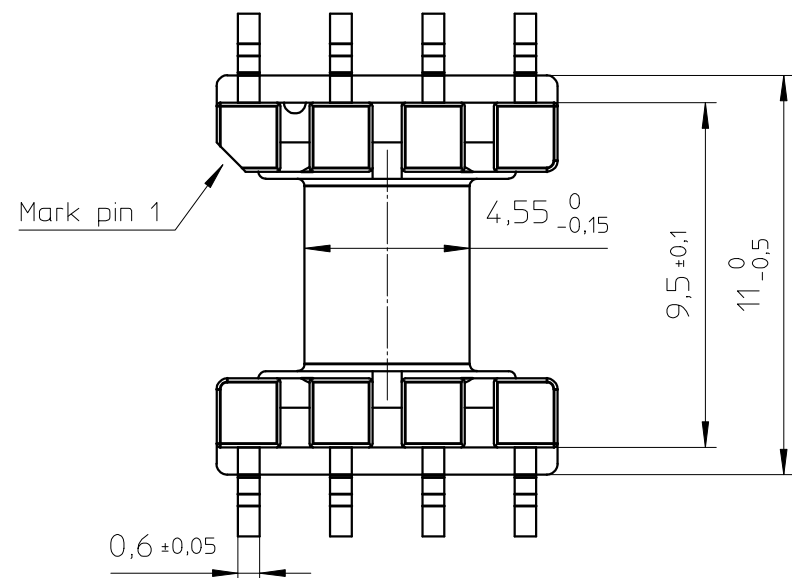


FERROXCUBE

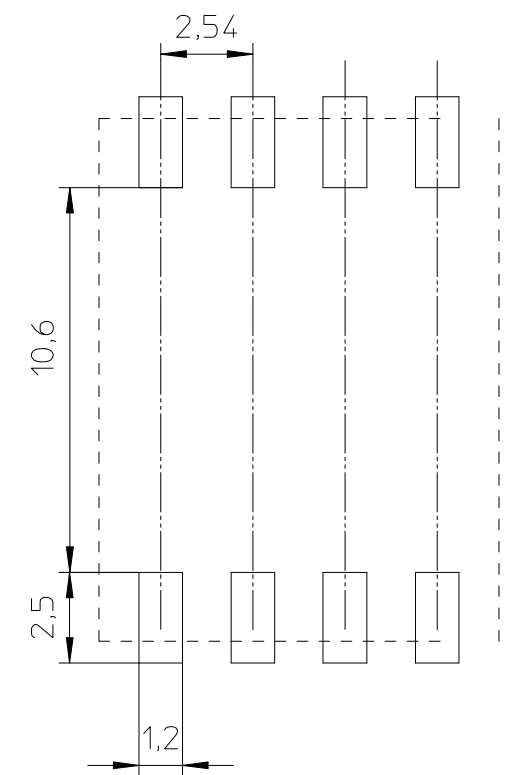


f

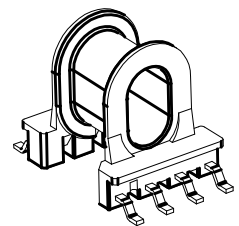
1 2 3 4 5 6 7 8



PROPOSED PAD ARRANGEMENT:



Coil former material: Sumikon PM9630 (PF), glass reinforced.
 UL file number: E41429 - UL94V-0.
 Pinmaterial: CuSn, Ni flash, Au plated
 Resistance to soldering heat acc. to IEC60 068-2-20 Part 2, Test Tb, method 1B, 350°C-3.5s
 Solderability acc. to IEC60 068-2-20 Part 2, Test Ta, method 1, 235°C-2s
 Min. winding area: 5.99 mm².
 Mean length of turn: 23.3 mm.



CLASS.NO.	CSHS-EPX9-1S-8P		4322 021 04171	02-05-14
2002-09-27				02-09-27
NAME NAAM MPA	M.Veekens	SUPERS. VERV.	1	SH SH BL BL 112 - 001
CHECK CONTR.	DAT.	14-05-2002	Property of Eigendom van	© FERROXCUBE 2000
				A3

1 2 3 4