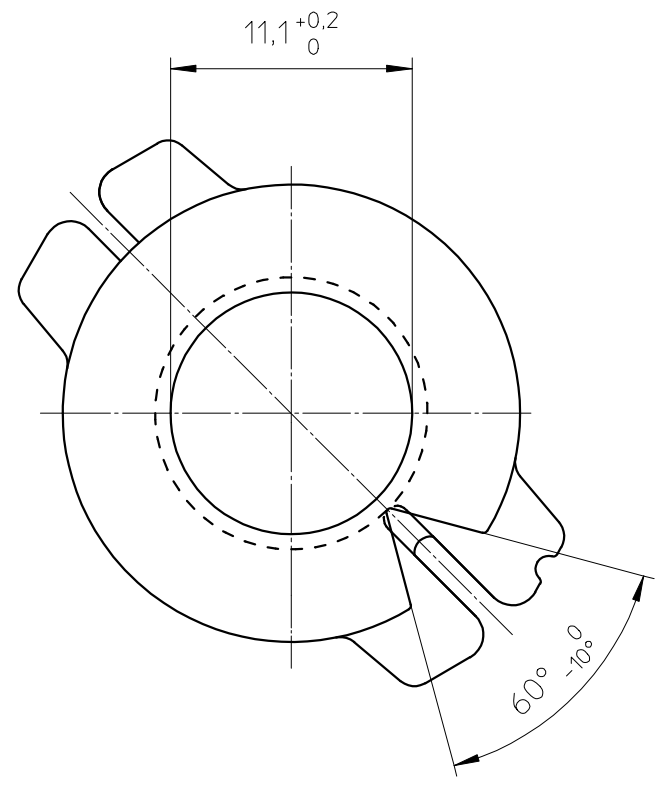
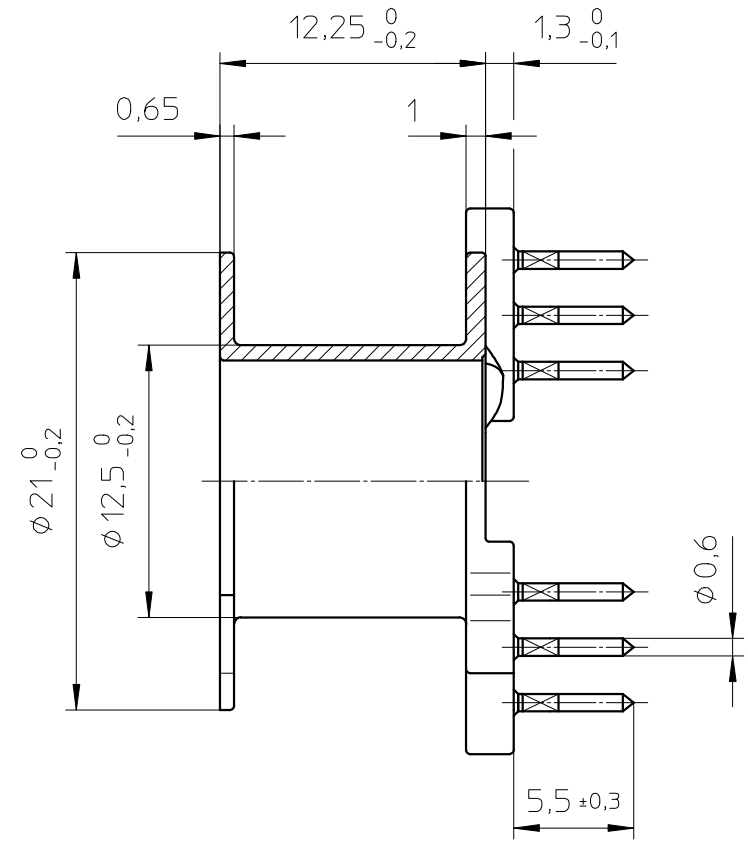
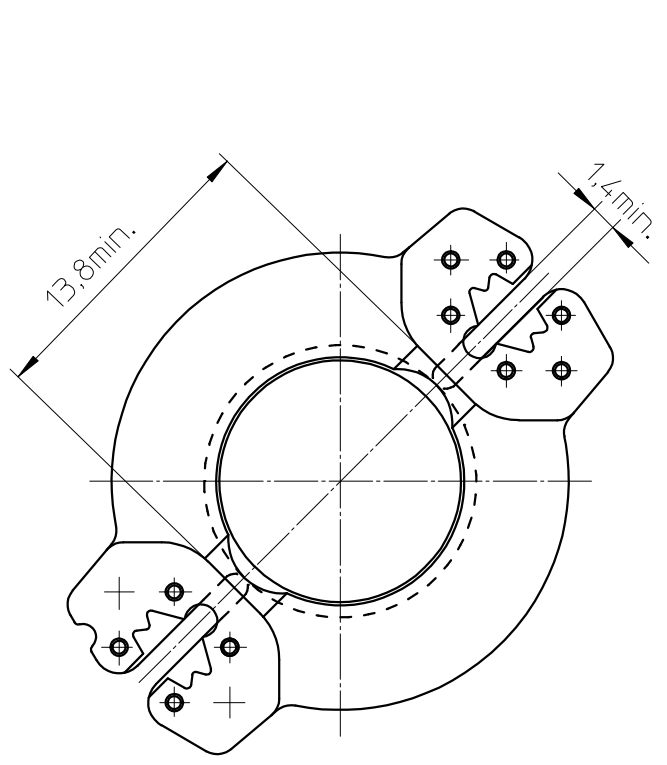
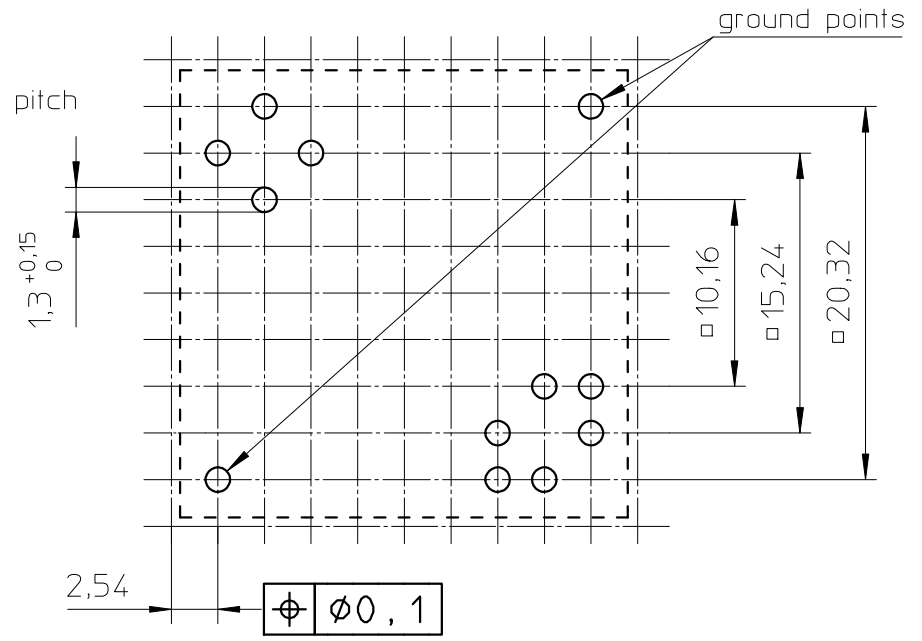


FERROXCUBE



HOLE PATTERN:
Space requirement 10x10 pitch



Coil former material: Bakelite UP 3420, glass-reinforced
UL file number: E61040 - UL94V-0.
Pin material: CuSn - Ni flash, Sn plated.
Max. operating temp.: acc. to IEC 60 085 class F, 155°C
Resistance to soldering heat: acc. to IEC 60 068-2-20 Part 2, Test Tb, method 1B 350°C-3.5sec.
Solderability: acc. to IEC 60 068-2-20 Part 2, Test Ta, method 1, 235°C-2sec.
Winding area: 42.7 mm.²
Mean length of turn: 52.3mm.

CLASS.NO.	CSV-RM10-1S-10P		4322 021 34741	2004-09-28
90-01-26				2005-09-01
				97-04-18
				2000-05-02
				2000-08-01
NAME NAAM MPA	M.Veekens	SUPERS. VERV.	1 SH BL	112 - 001
CHECK CONTR.	DAT.	89-04-05	Property of Eigendom van	© FERROXCUBE 2000
			010	A3