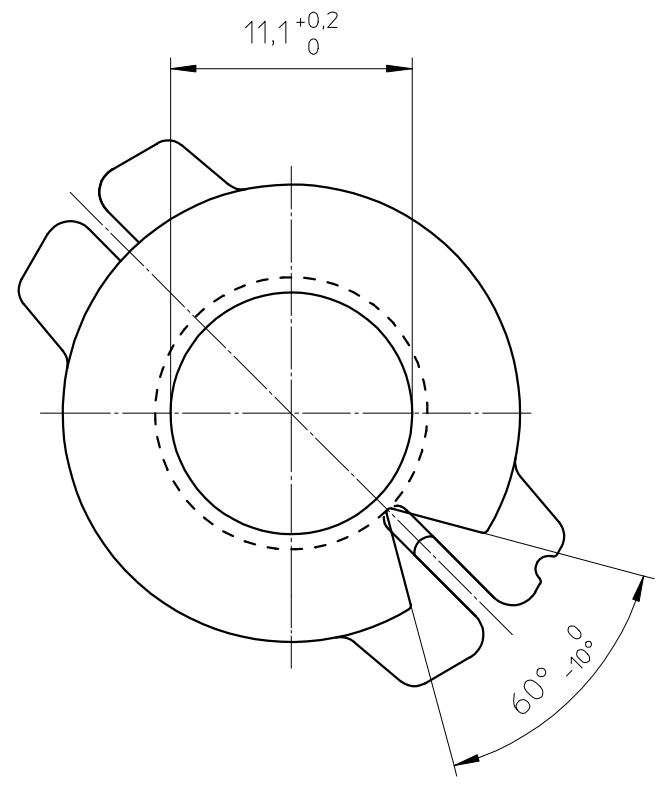
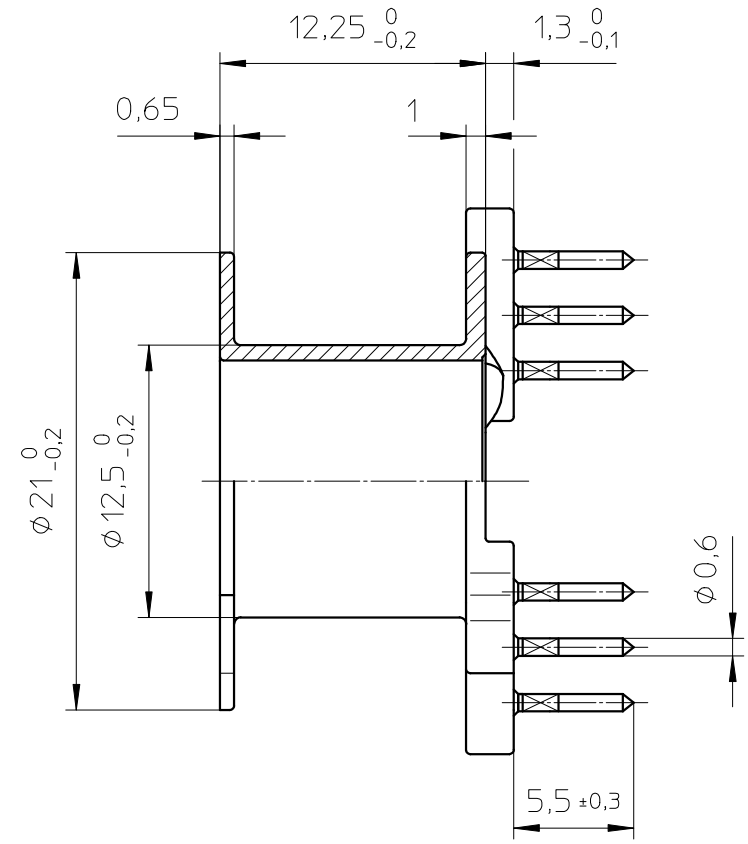
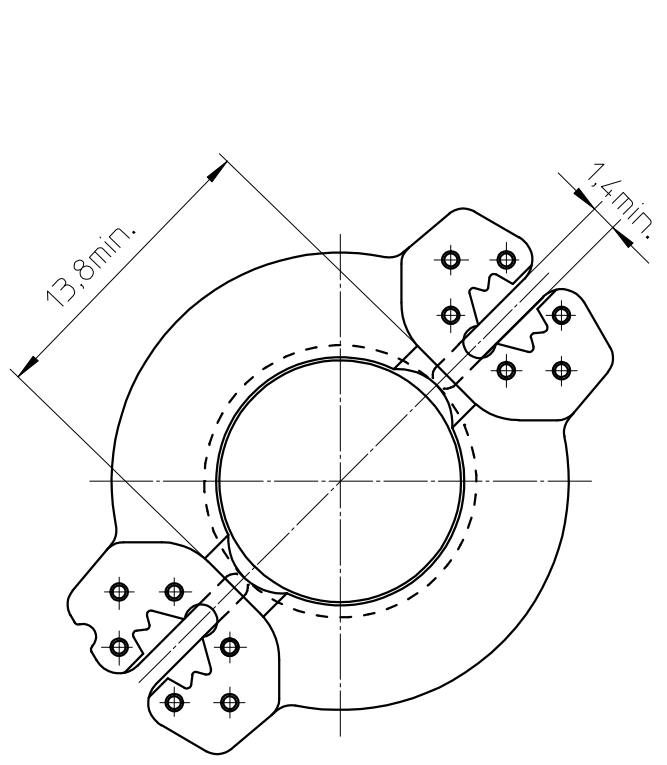
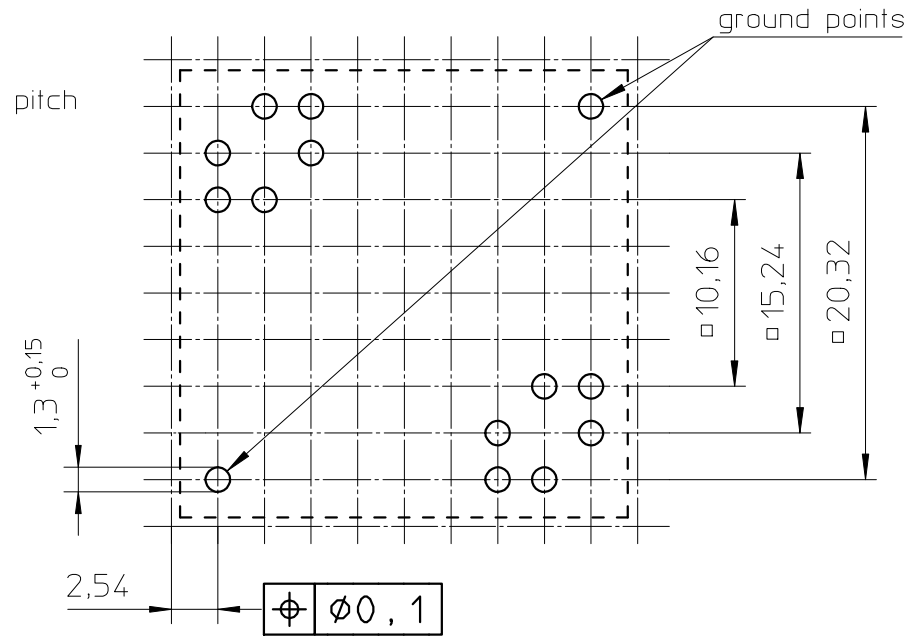


**FERROXCUBE**



HOLE PATTERN:  
Space requirement 10x10 pitch



Coil former material: Bakelite UP 3420, glass-reinforced  
 UL file number: E61040 - UL94V-0.  
 Pin material: CuSn - Ni flash, Sn plated.  
 Max. operating temp.: acc. to IEC 60 085 class F, 155°C  
 Resistance to soldering heat: acc. to IEC 60 068-2-20 Part 2, Test Tb, method 1B, 350°C-3.5sec.  
 Solderability: IEC 60 068-2-20 Part 2, Test Ta, method 1, 235°C-2sec.  
 Winding area: 42.7 mm.<sup>2</sup>  
 Mean length of turn: 52.3mm.

CLASS.NO.	00-05-04		112 - 001		010	A3
NAME NAAM	M.Veekens		SUPERS. VERV.	1	112 - 001	010
MPA	CHECK CONTR.	DAT.	94-11-03	Property of Eigendom van	© FERROXCUBE 2000	
			4322 021 34761	04-09-28	2005-09-01	92-05-07
				97-04-18	00-08-01	