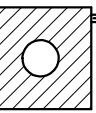
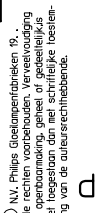


FERROXCUBE



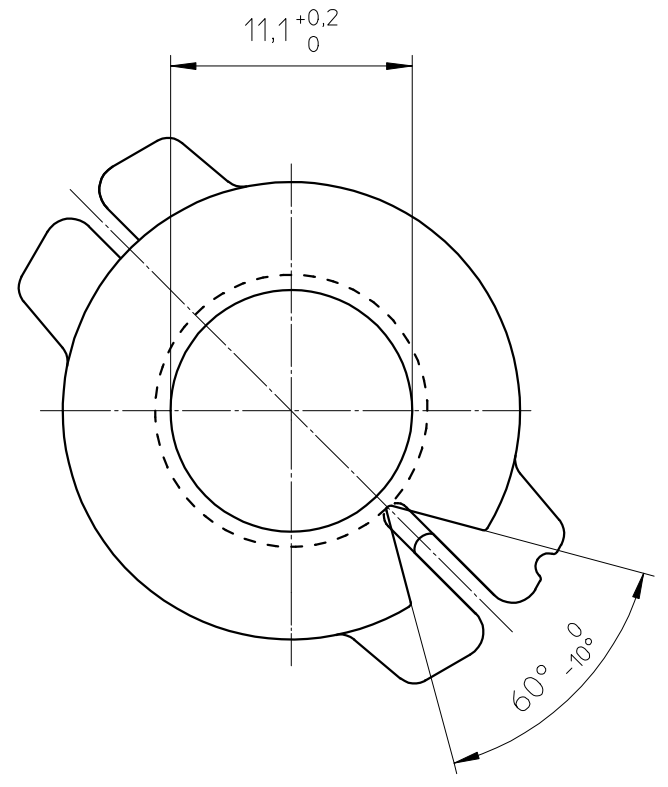
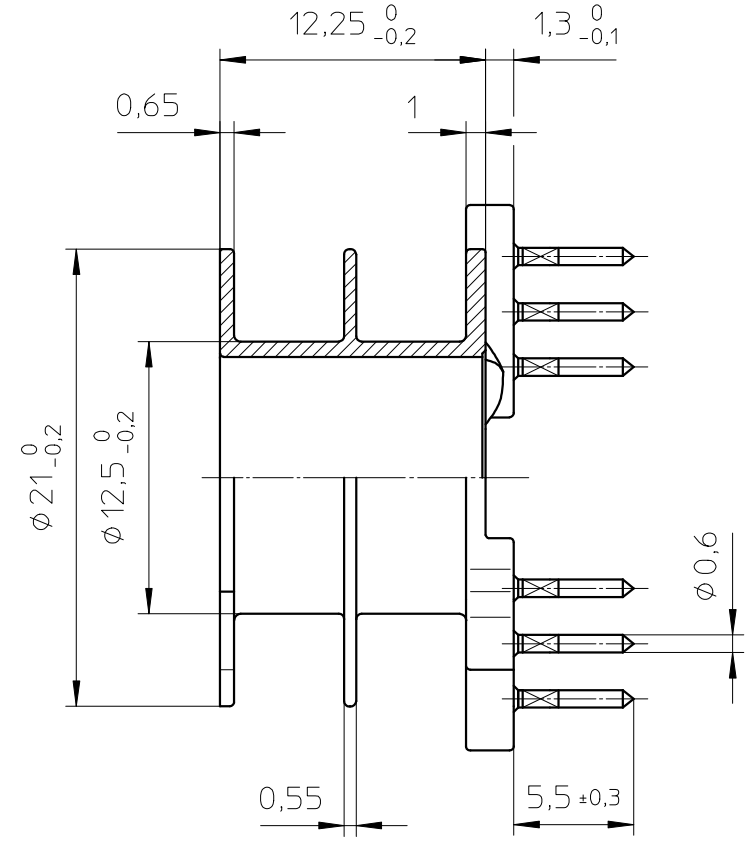
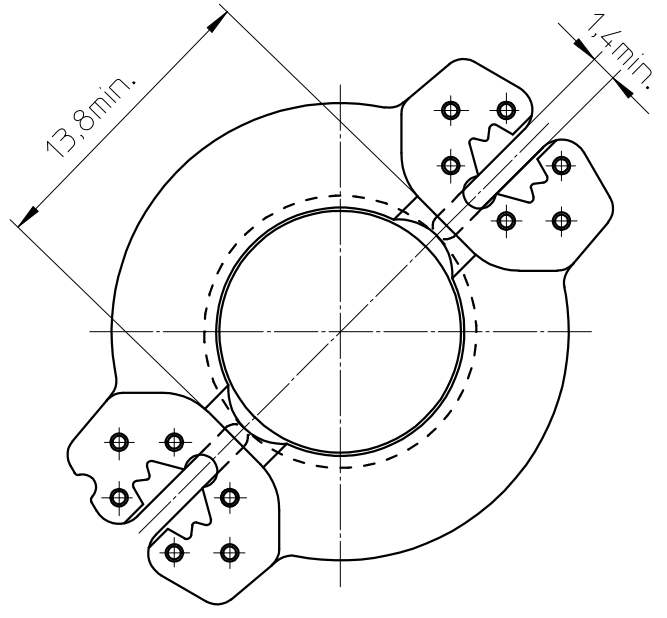
N.V. Philips Gloeilampenfabrieken 19...
 in part is prohibited without the written
 consent of the copyright owner.



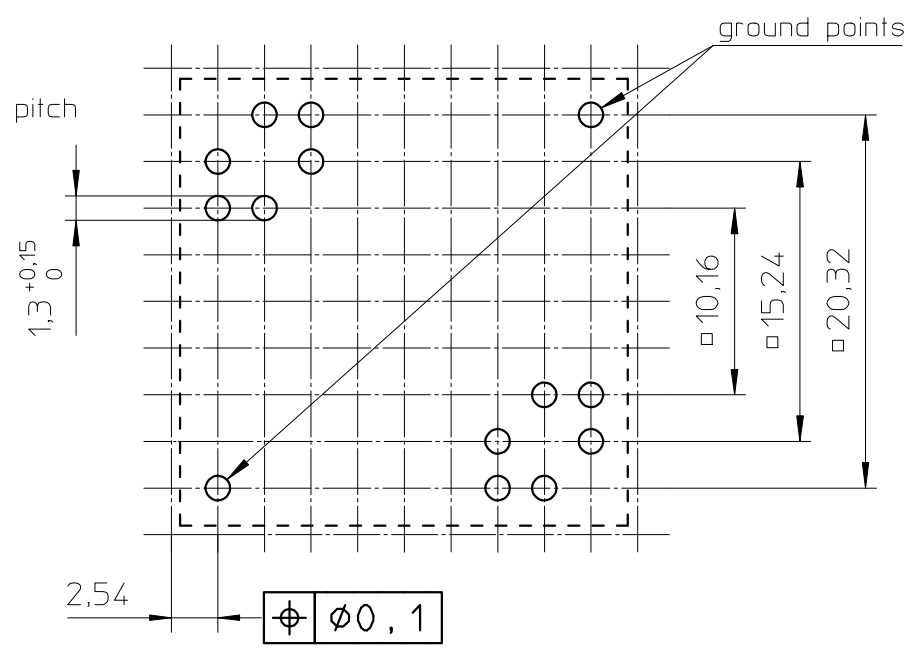
N.V. Philips Gloeilampenfabrieken 19...
 of openbaring, geheel of gedeeltelijk
 met toestemming dan met schriftelijke toestel-
 ling van de auteursrechtbehebende.



1 2 3 4 5 6 7 8



HOLE PATTERN:
 Space requirement 10x10 pitch



Coil former material: Vyncolit X611 (PF), glass-reinforced
 UL file number: E167521 - UL94V-0.
 Pin material: CuSn - Ni flash, Sn plated.
 Max. operating temp.: acc. to IEC 60 085 class H, 180°C
 Resistance to soldering heat: acc. to IEC 60 068-2-20 Part 2, Test Tb, method 1B 350°C-3.5sec.
 Solderability: acc. to IEC 60 068-2-20 Part 2, Test Ta, method 1, 235°C-2sec.
 Winding area: 42,7 mm.²
 Mean length of turn: 52,3mm.

CLASS.NO.	CSV-RM10-2S-12P-V		4322 021 03971	02-01-15	05-09-01
NAME NAAM	M.Veekens	SUPERS. VERV.	1	SH BL.	112 - 001
MPA	CHECK CONTR.	DAT.	02-01-15	Property of Eigendom van	© FERROXCUBE 2000
				010	A3

1 2 3 4