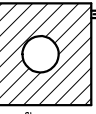
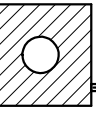


FERROXCUBE

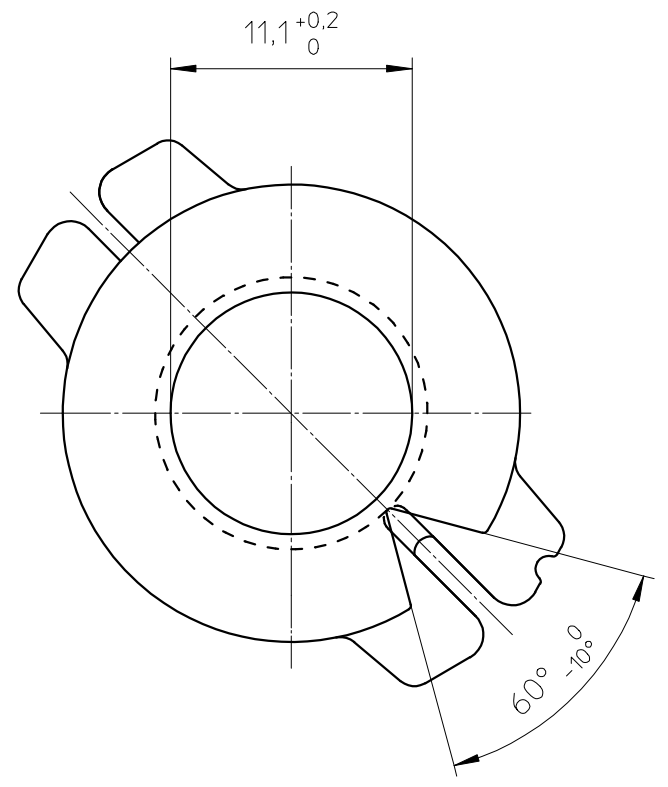
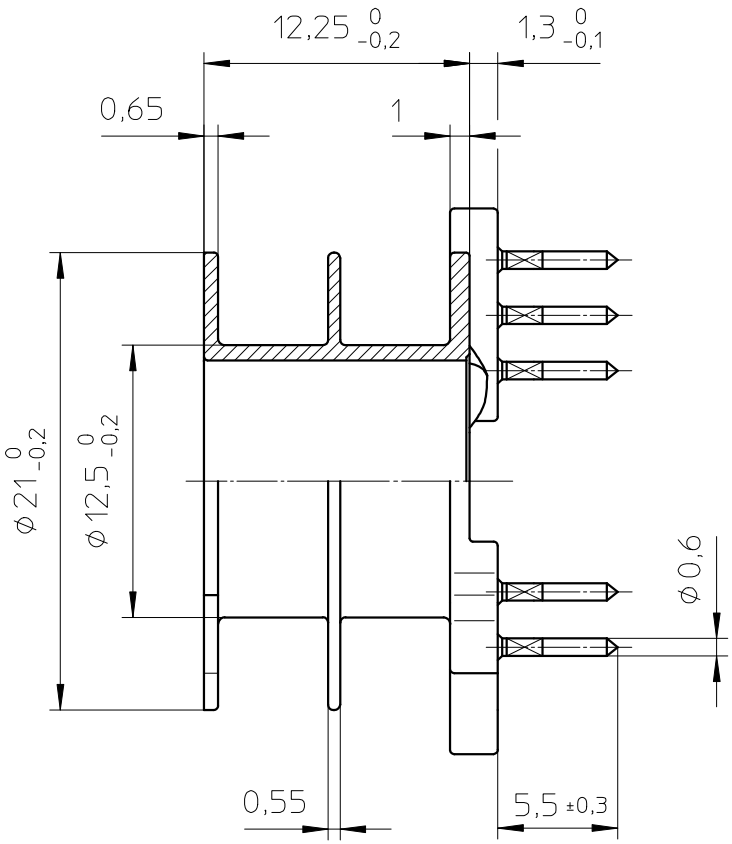
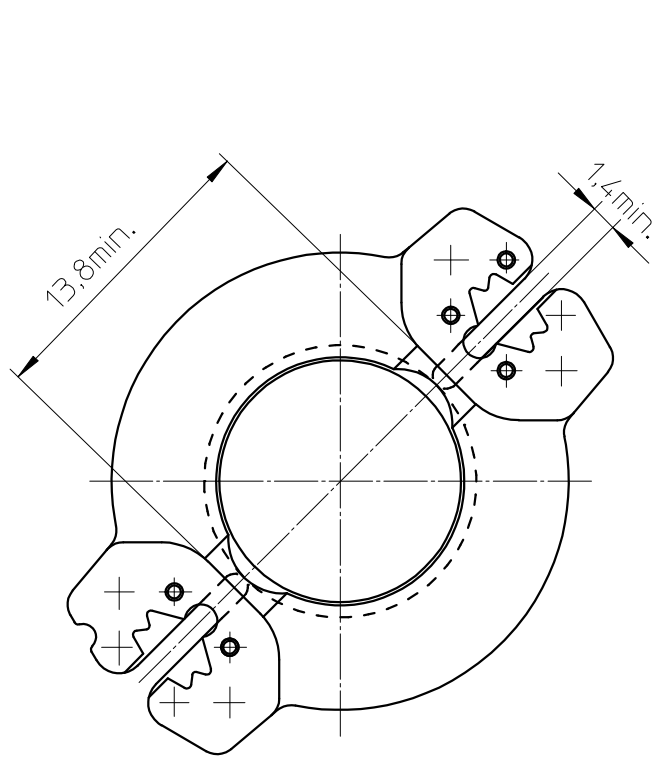


© N.V. Philips Gloeilampenfabrieken 19...
 of in part is prohibited without the written
 consent of the copyright owner.

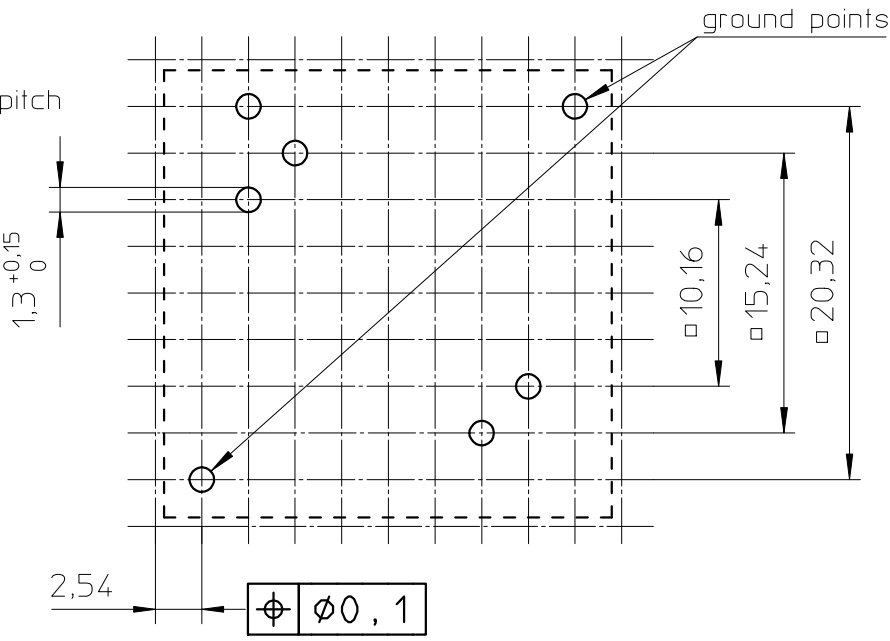
© N.V. Philips Gloeilampenfabrieken 19...
 of in part is prohibited without the written
 consent of the copyright owner.



f



HOLE PATTERN:
 Space requirement 10x10 pitch



Coil former material: Bakelite UP 3420, glass-reinforced
 UL file number: E61040 - UL94V-0.

Pin material: CuSn - Ni flash, Sn plated.

Max. operating temp.: acc. to IEC 60 085 class F, 155°C

Resistance to soldering heat: acc. to IEC 60 068-2-20 Part 2, Test Tb, method 1B 350°C.-3.5sec.

Solderability: acc. to IEC 60 068-2-20 Part 2, Test Ta, method 1, 235°C-2sec.

Winding area: 42.7 mm²

Mean length of turn: 52.3mm.

CLASS.NO.	CSV-RM10-2S-5P		4322 021 34771	04-09-28
				2005-09-01
90-01-26				97-04-18
				00-05-02
				00-08-01
NAME NAAM MPA	M.Veekens	SUPERS. VERV.	1 SH SH BL BL 112 - 001	010
CHECK CONTR.	DAT. 89-04-05	Property of Eigendom van	© FERROXCUBE 2000	
				A3