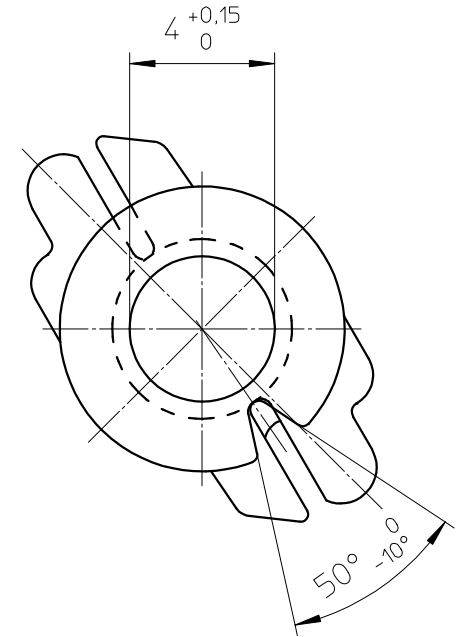
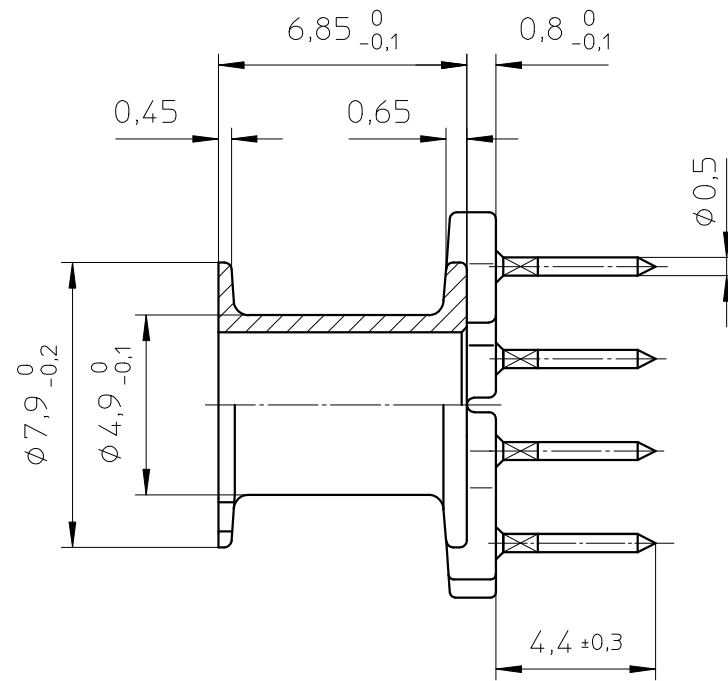
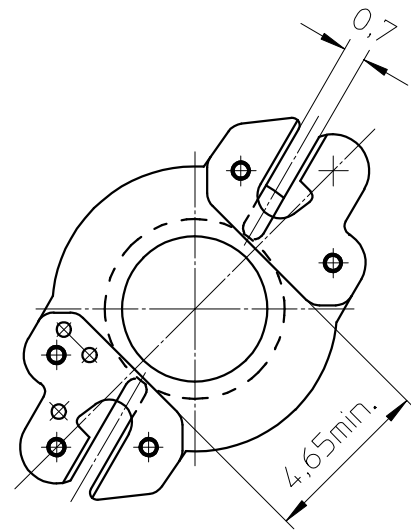
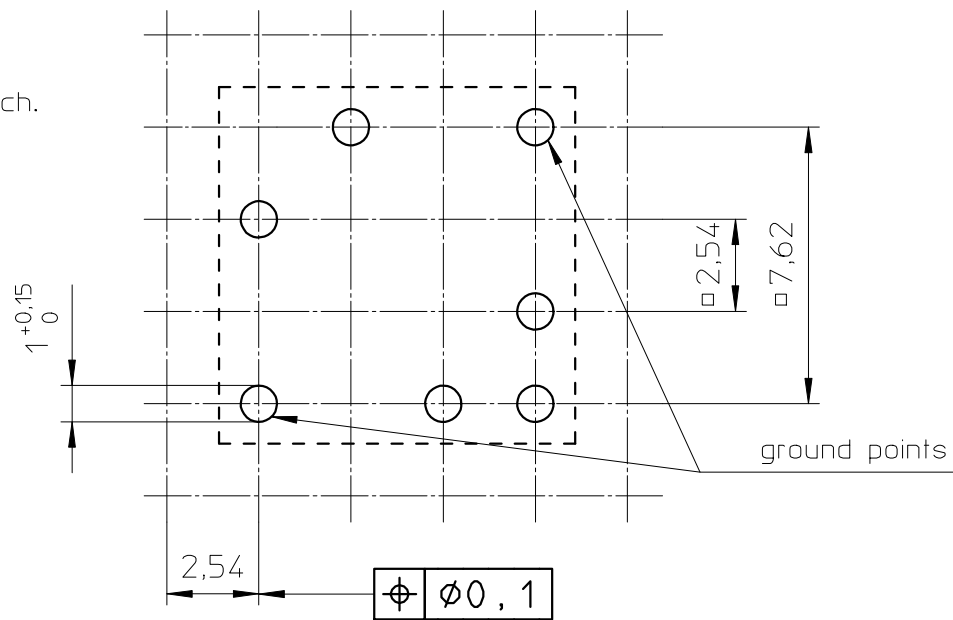


FERROXCUBE



HOLE PATTERN:

Space requirement 4x4 pitch.



Coil former material: Bakelite UP 3420 (UP), glass-reinforced.
 UL file number: E61040(M) - UL94V-0.
 Pin material: CuSn - Ni flash, Sn plated.
 Max. operating temp.: acc. to IEC 60 085 class H, 180°C.
 Resistance to soldering heat: acc. to IEC 60 068-2-20 Part 2, Test Tb, method 1B, 350°C - 3.5s.
 Solderability: acc. to IEC 60 068-2-20 Part 2, Test Ta, method 1, 235°C - 2s.
 Min. winding area: 7,7 mm².
 Mean length of turn: 19,8 mm.

CLASS.NO.	CSV-RM4-1S-5P		4322 021 03471	99-08-17
				00-06-26
				00-08-01
				04-09-28
				05-09-01
NAME NAAM	M.Veekens	SUPERS. VERV.	1	SH SH BL BL 112 - 001
MPA	CHECK CONTR.	DAT.	99-08-17	010
			Property of Eigendom van	© FERROXCUBE 2000
				A3