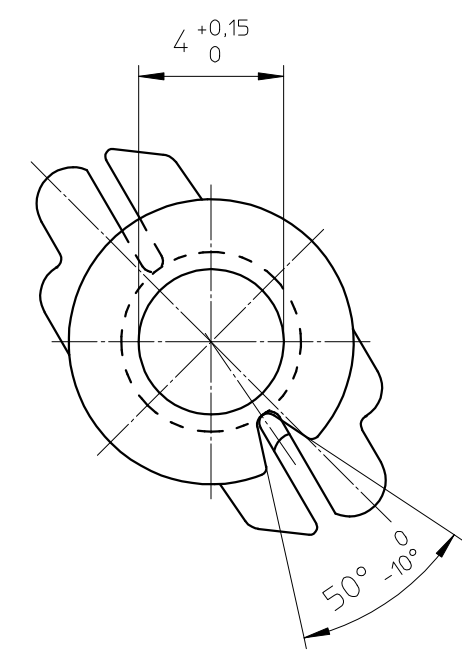
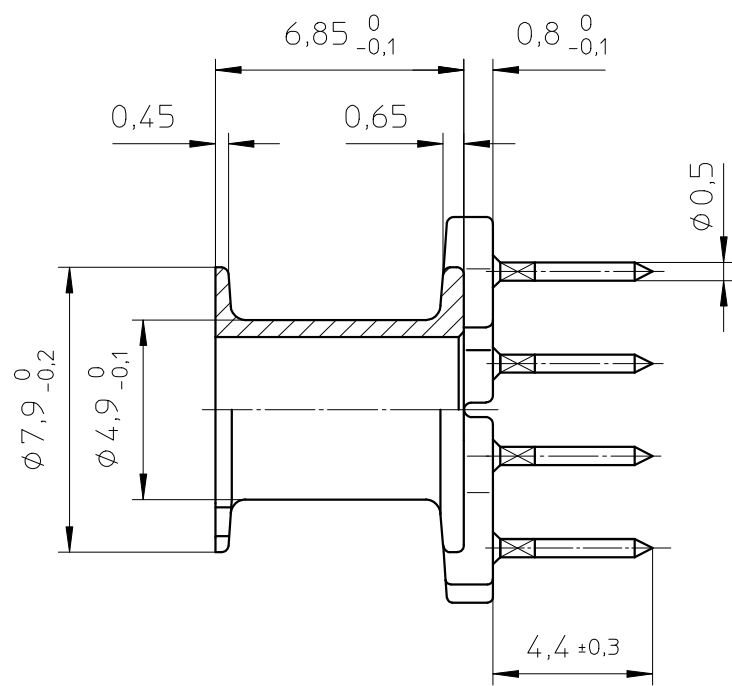
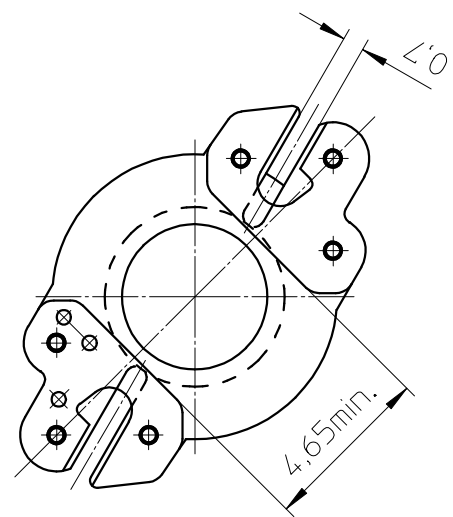
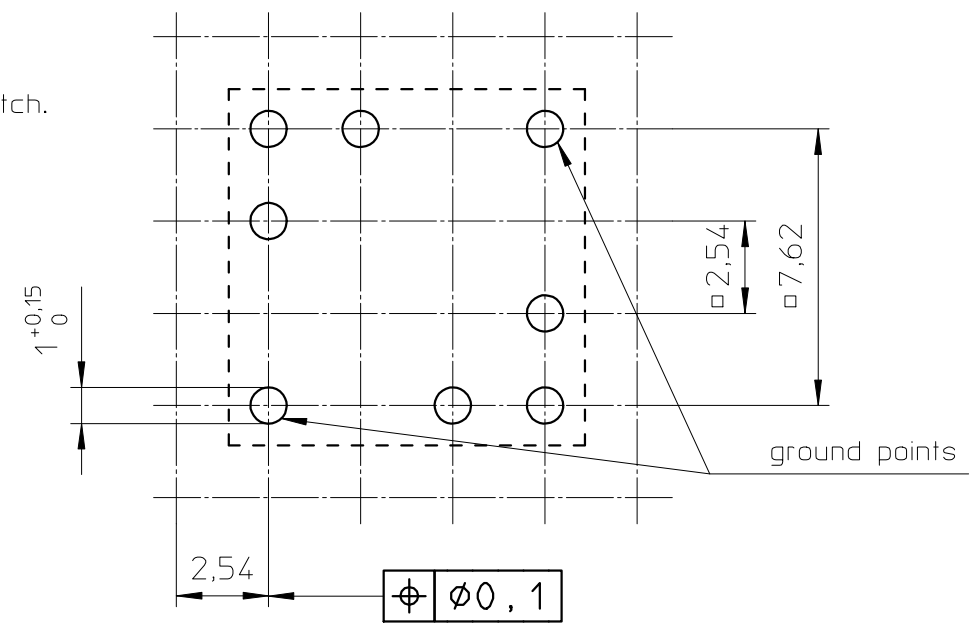


FERROXCUBE



HOLE PATTERN:

Space requirement 4x4 pitch.



Coil former material: Bakelite UP3420, glass-reinforced.
 UL file number: E61040 - UL94V-0.
 Pin material: CuSn - Ni flash, Sn plated.
 max. operating temp. : 180°C.
 Resistance to soldering heat: 500°C - 5sec.
 Solderability: IEC 68-2-20 Part 2, Test Ta, method 1.
 Winding area: 7,7 mm².
 Mean length of turn: 19,8 mm.

CLASS.NO.	CSV-RM4-1S-6P		4322 021 00971	99-10-06
00-05-04				00-05-04
				00-08-01
				04-09-28
				05-09-01
NAME NAAM MPA	M.Veekens	SUPERS. VERV.	1 SH BL	112 - 001
CHECK CONTR.	DAT.	94-06-17	Property of Eigendom van	© FERROXCUBE 2000
				010
				A3