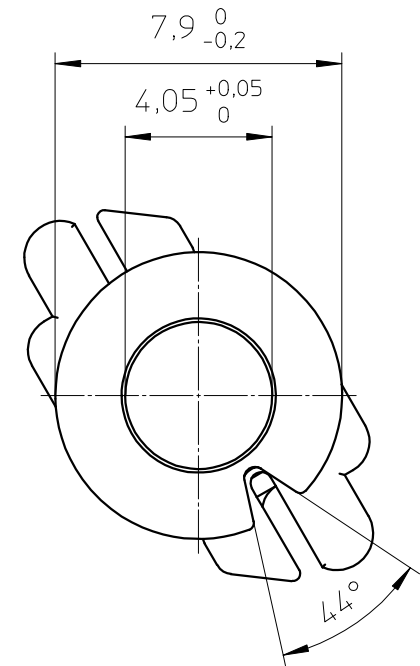
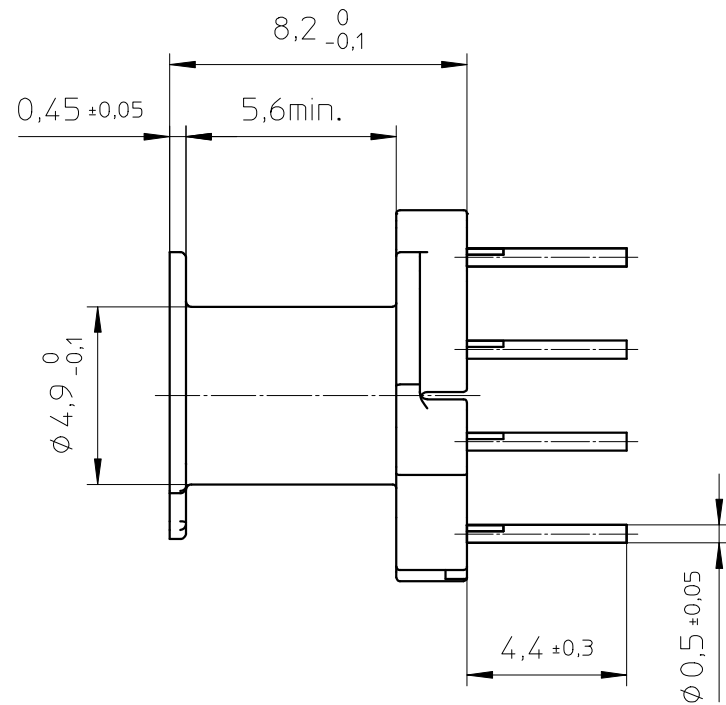
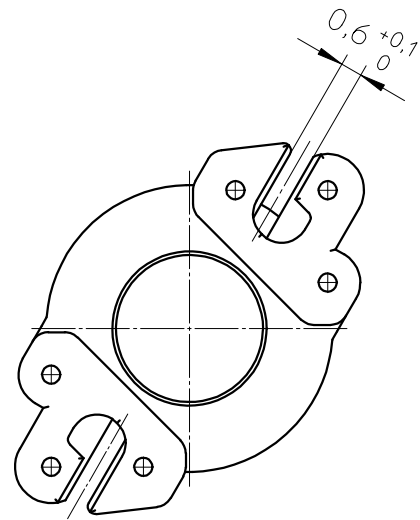
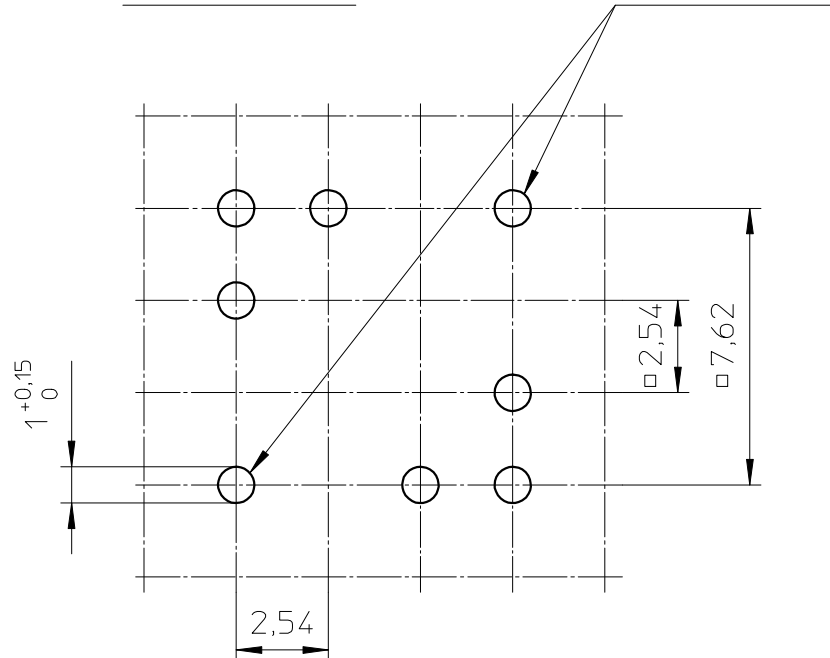


FERROXCUBE



HOLE PATTERN:

ground points



Coil former material:

Sumikon PM9630 (PF), glass-reinforced.

Pin material:

UL file number: E41429 - UL94V-0.

Max. operating temp.:

Copper-clad steel, Sn plated.

Resistance to soldering heat:

acc. to IEC 60085 class F, 155°C.

Solderability:

acc. to IEC 60068-2-20 Part 2, Test Tb, method 1B, 350°C - 3,5s.

Min. winding area:

acc. to IEC 60068-2-20 Part 2, Test Ta, method 1, 235°C - 2s.

Mean length of turn:

7,8 mm².

19,8 mm.



CLASS.NO.	CSV-RM4-1S-6P-TZ		4322 021 0622		1	03-02-25	06-03-23		
NAME NAAM	A.Wojtasz	SUPERS. VERV.	001	SH BL.	112	-	001	069	A3
MPA	CHECK CONTR.	DAT.	03-02-25	Property of Eigendom van	© FERROXCUBE 2000				