



c



d

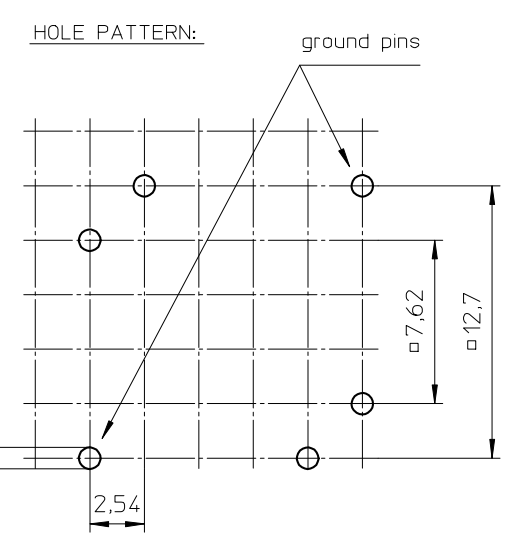
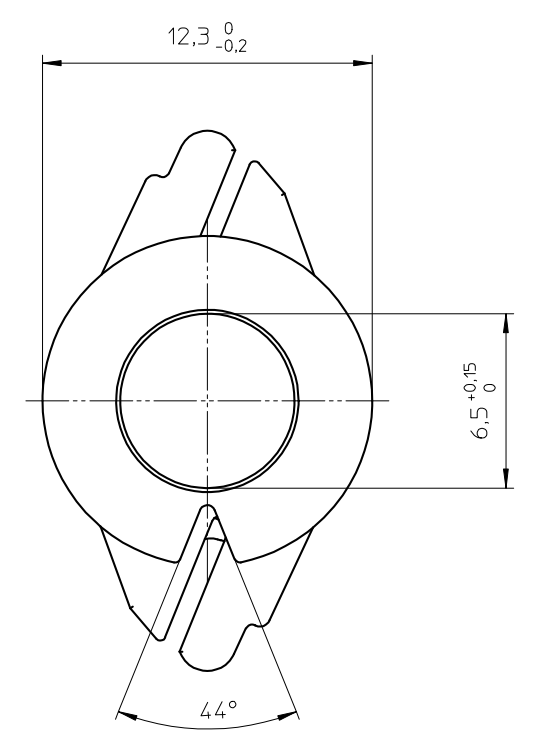
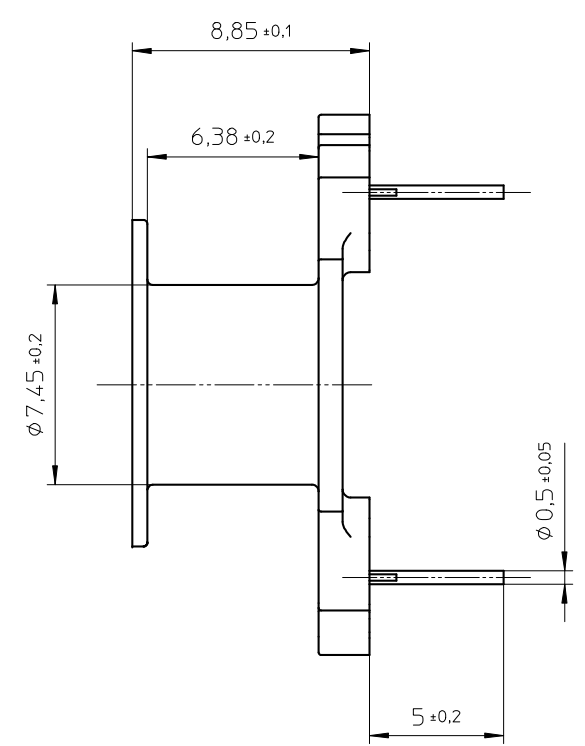
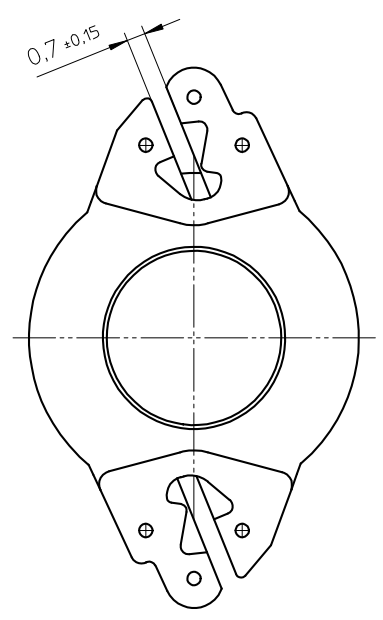


e

f



1 2 3 4 5 6 7 8



Coil former material: Sumikon PM9630 (PF), glass-reinforced.  
 UL file number: E41429 - UL94V-0.

Pin material: Copper-plated steel wire, Sn plated.

Max. operating temp.: acc. to IEC 60085 class F, 150°C.

Resistance to soldering heat: acc. to IEC 60068-2-20 Part 2, Test Tb, method 1B, 350°C - 3,5sec.

Solderability: acc. to IEC 60068-2-20 Part 2, Test Ta, method 1, 235°C - 2sec.

Min. winding area: 14,5 mm<sup>2</sup>.

Mean length of turn: 30 mm.



CLASSNO.	CSV-RM6S-1S-4P-TZ		4322 021 06241	03-02-25 08-06-19
NAME NAAM	M.Tryngiel	SUPERS. VERV.	001	SP1SH AL BL 112 - 001
MPA	CHECK CONTR.	DAT.	Property of Eigendom van	A3
		03-02-25	© FERROXCUBE 2008	