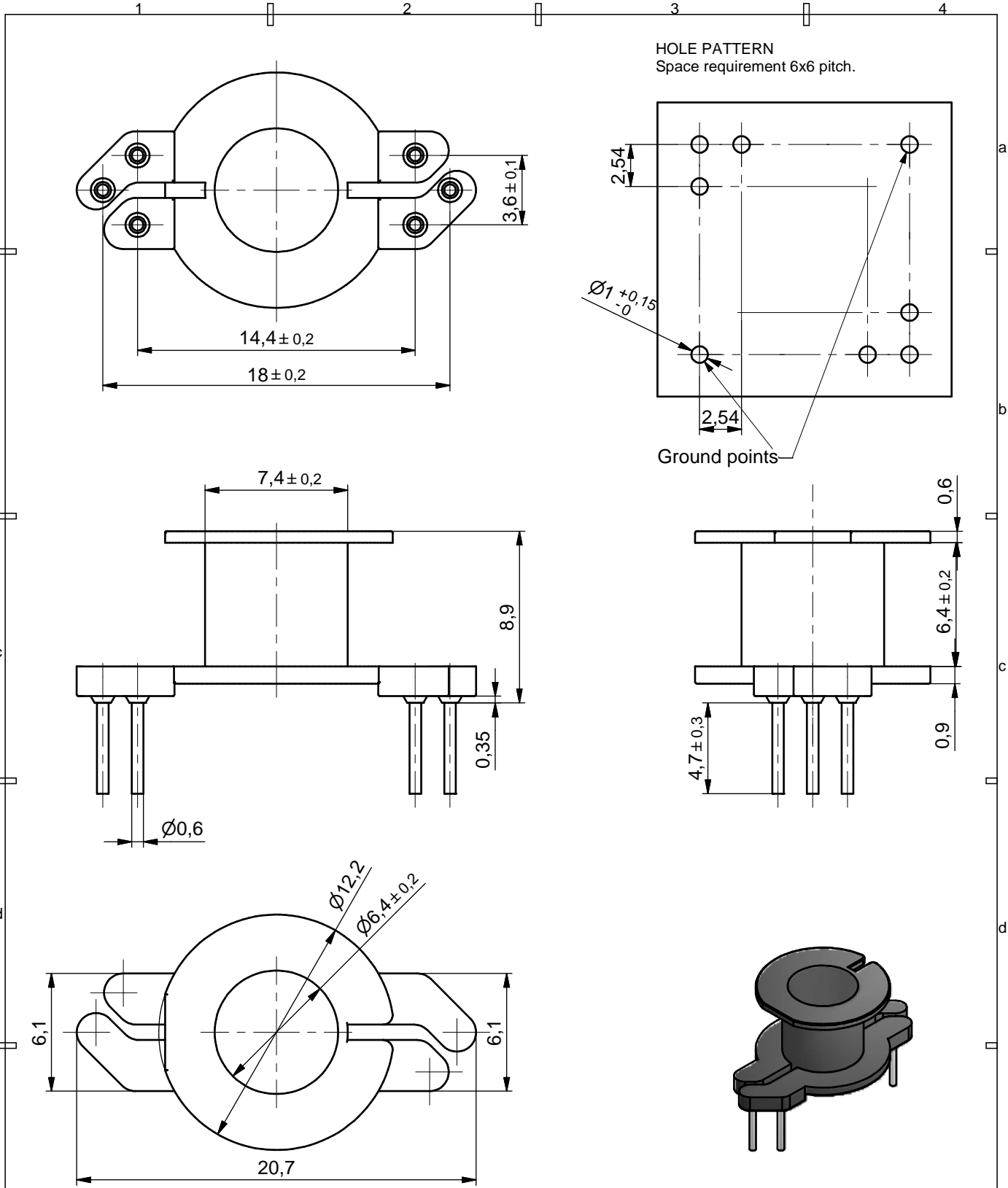
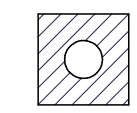
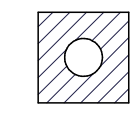
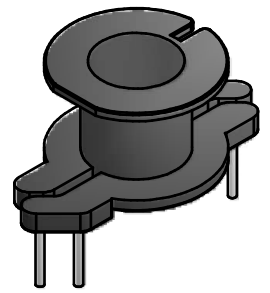


F



Coil former material : Sumikon PM9630 (PF), glass-reinforced
 UL file number: E41429 - UL94V-0

Pin material: CP wire , Sn plated
 Max. operating temp.: acc. to IEC 60 085 class H, 180°C
 Resistance to soldering heat: acc. to IEC 60 068-2-20 Part 2, Test Tb, method 1B, 350°C - 3,5 se c.
 Solderability : acc. to IEC 60 068-2-20 Part2, Test Ta, method 1, 235°C - 2 sec.
 Min. widening area : 15 sq mm.
 Mean length of turn: 30 mm.



CLASS.NO.					5
					4
					3
					2
					1
					2009-12-01
NAME M. Tryngiel	SUPERS.	001	SH BL SH BL	112 - 001	010
DATE:		Property of	FERROXCUBE Polska Sp. z o.o.		A4

CSV-RM6R-1S-6P-IZ-C

4322 021 07211