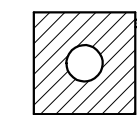


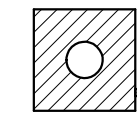
**FERROXCUBE**



c

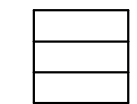


d



e

f



1

2

3

4

5

6

7

8

a

b

c

d

e

f

a

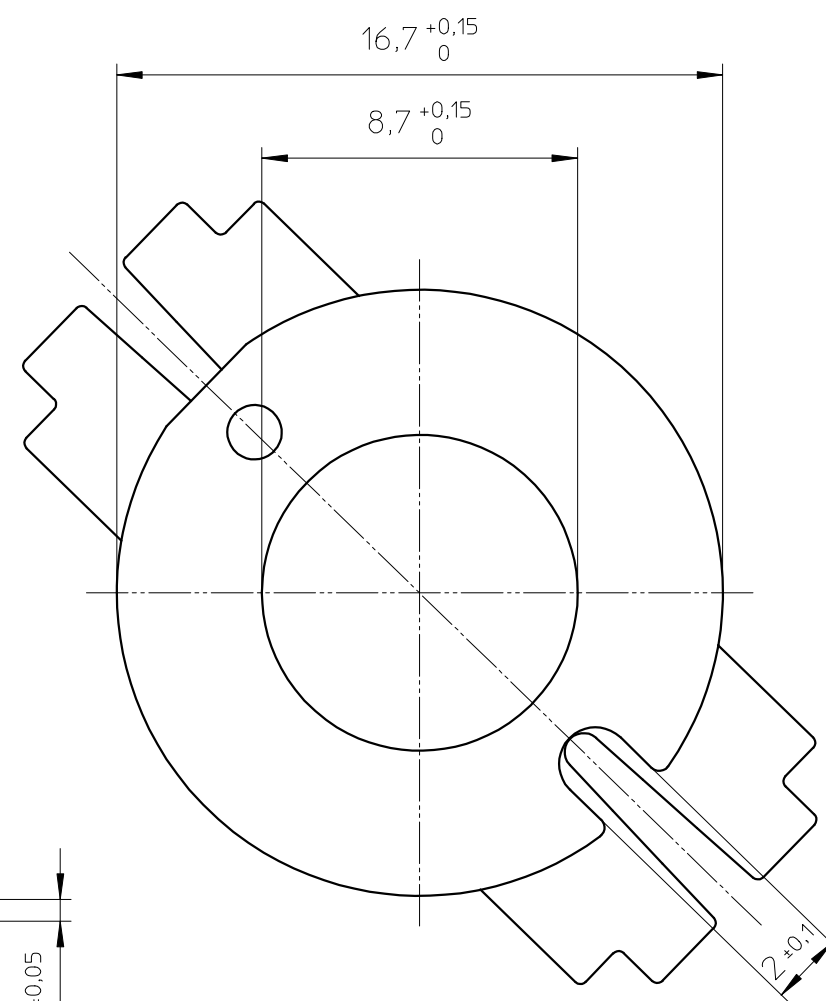
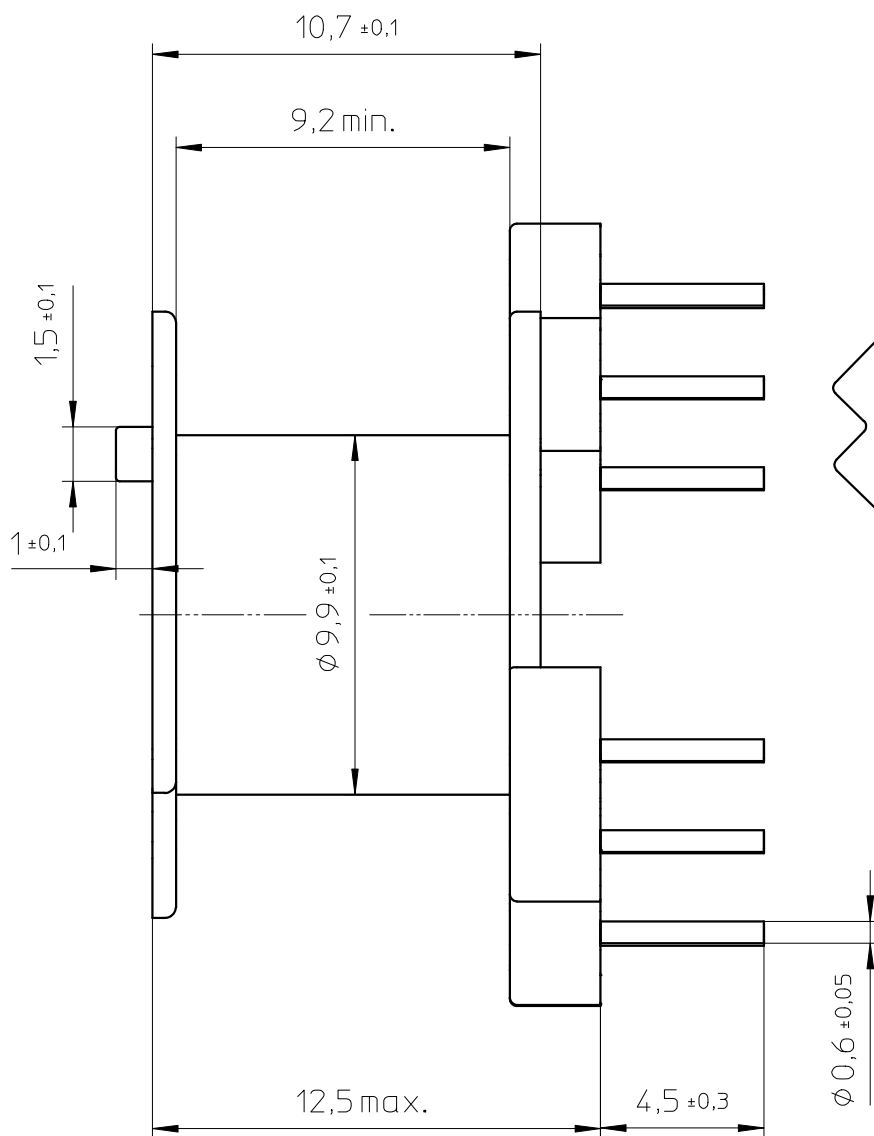
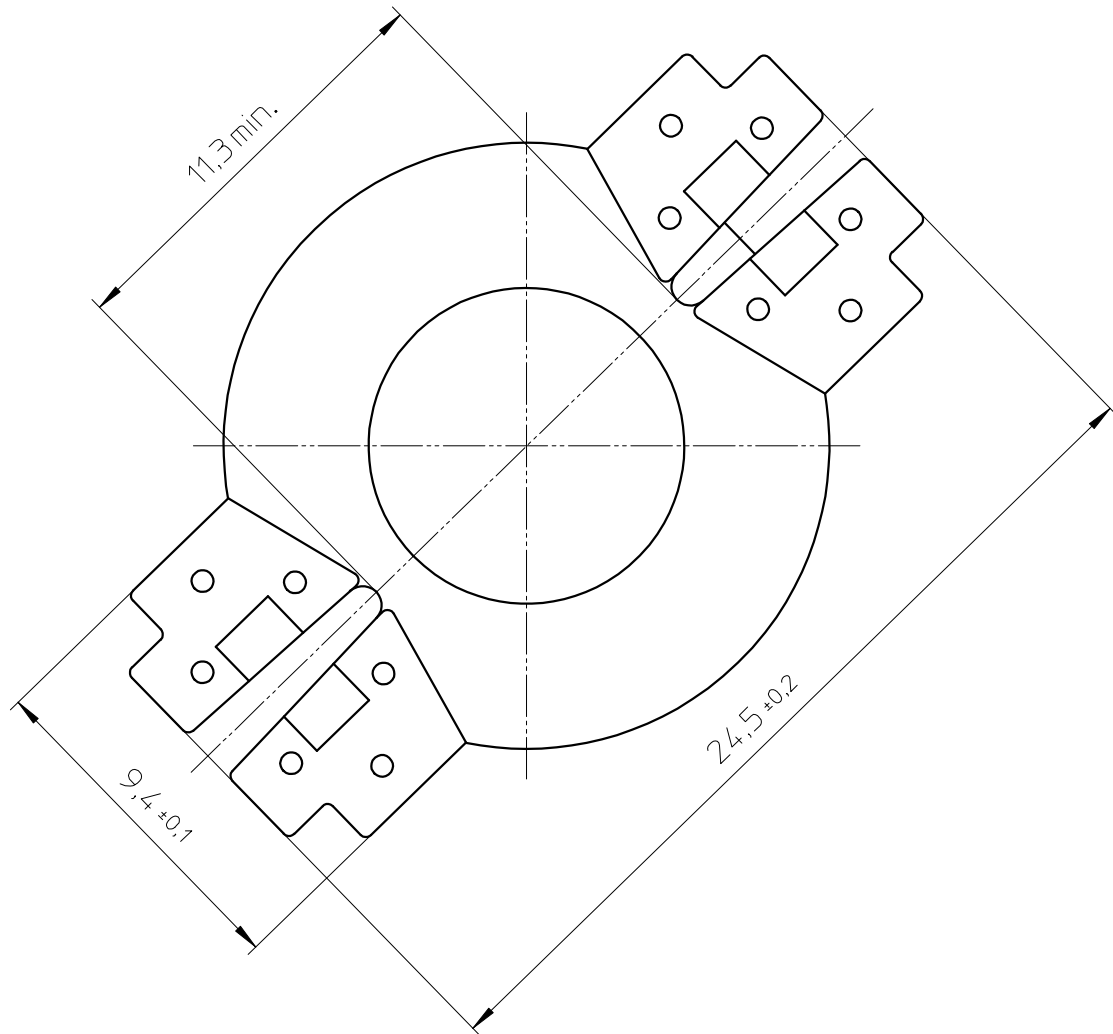
b

c

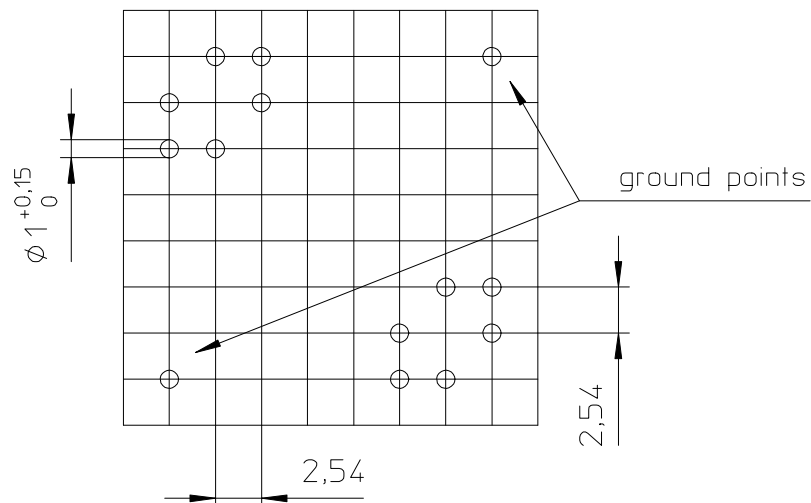
d

e

f



HOLE PATTERN:



Coil former material:

Sumikon PM9630 (PF), glass-reinforced.  
UL file number: E41429(M) - UL94V-0.

Pin material:

Copper-clad steel, Sn plated.

Max. operating temp.:

acc. to IEC 85 class F, 150°C.

Resistance to soldering heat:

acc. to IEC 68-2-20 Part 2, Test Tb, method 1B, 350°C - 3,5sec.

Solderability:

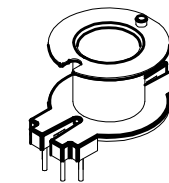
acc. to IEC 68-2-20 Part 2, Test Ta, method 1, 235°C - 2sec.

Min. winding area:

31 mm<sup>2</sup>.

Mean length of turn:

42 mm.



CLASS.NO.	CSV-RM8-1S-12P-TA		98-11-09
	4322 021 02621		06-06-28
NAME NAAM	A.Wojtasz	SUPERS. VERV.	001 SH SH BL BL 112 - 001 069
MPA	CHECK CONTR.	DAT.	98-01-19
		Property of Eigendom van	© FERROXCUBE 2000