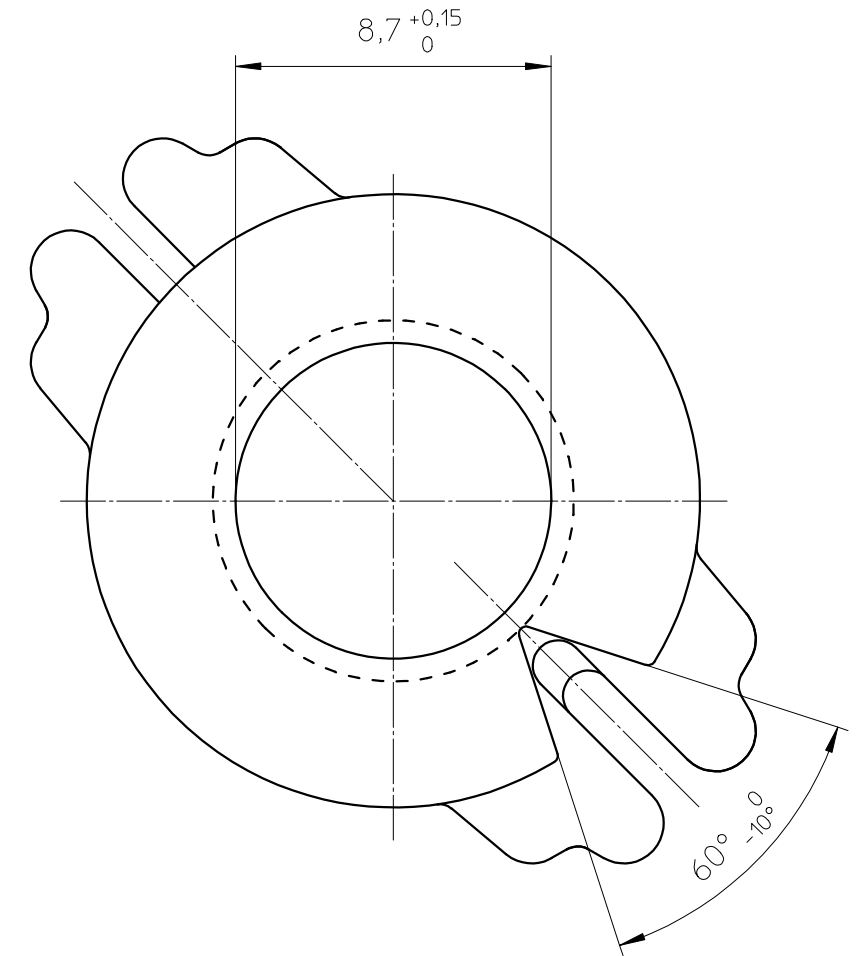
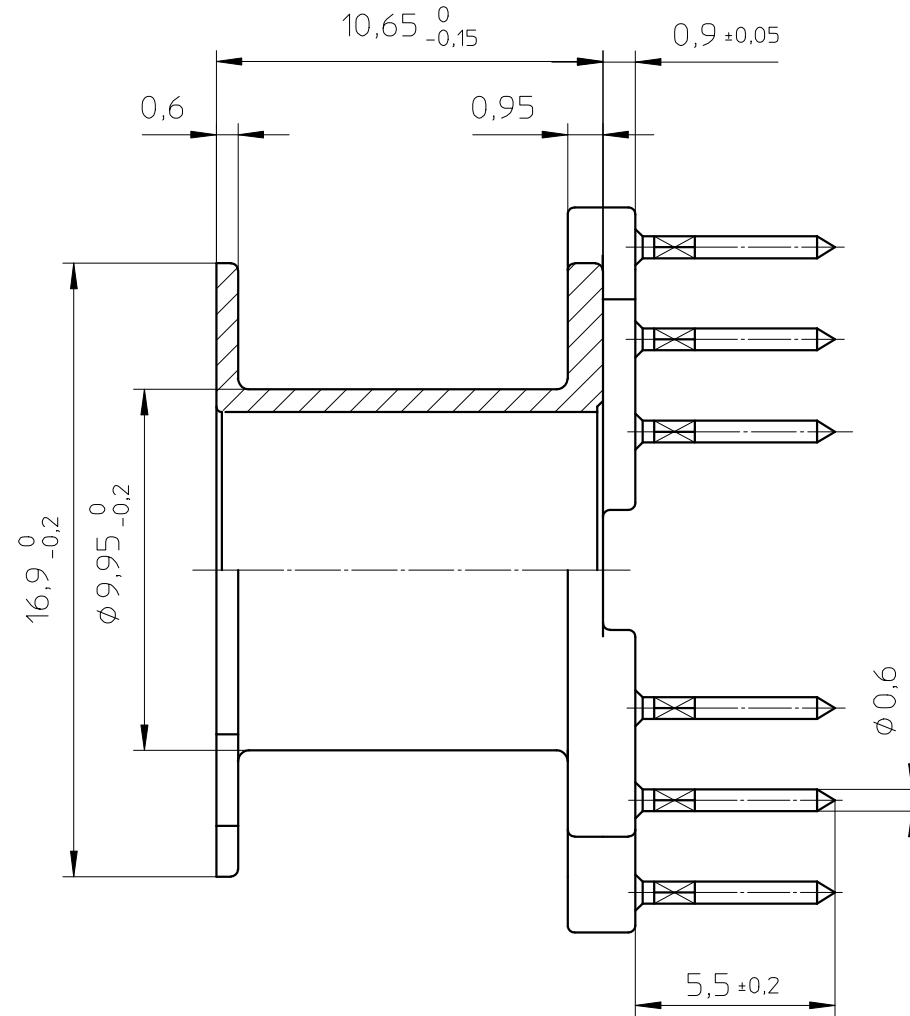
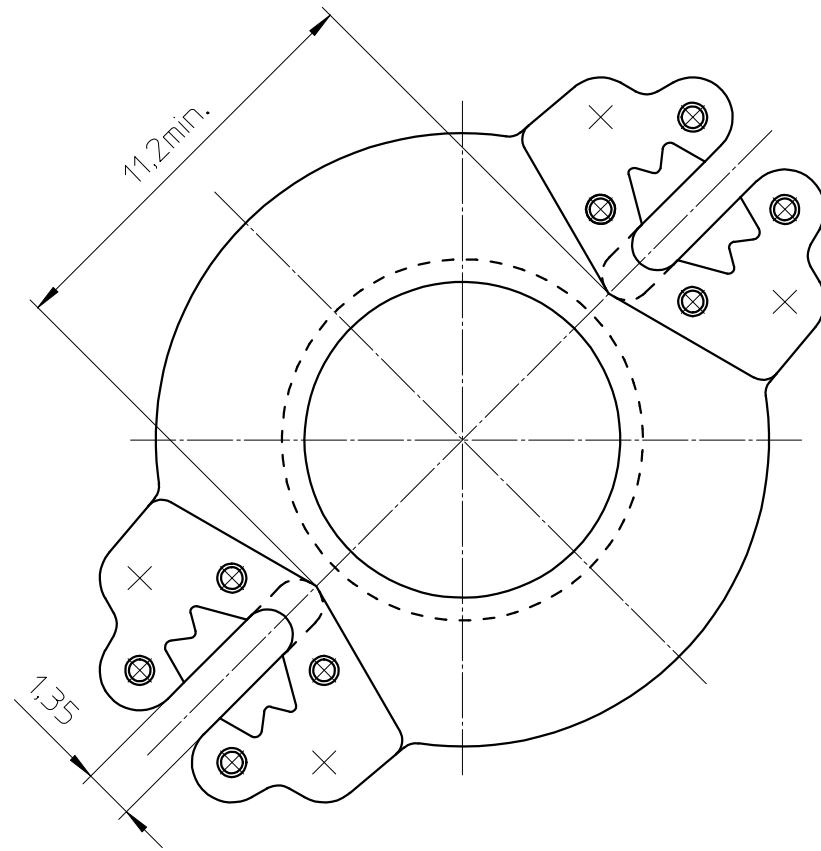
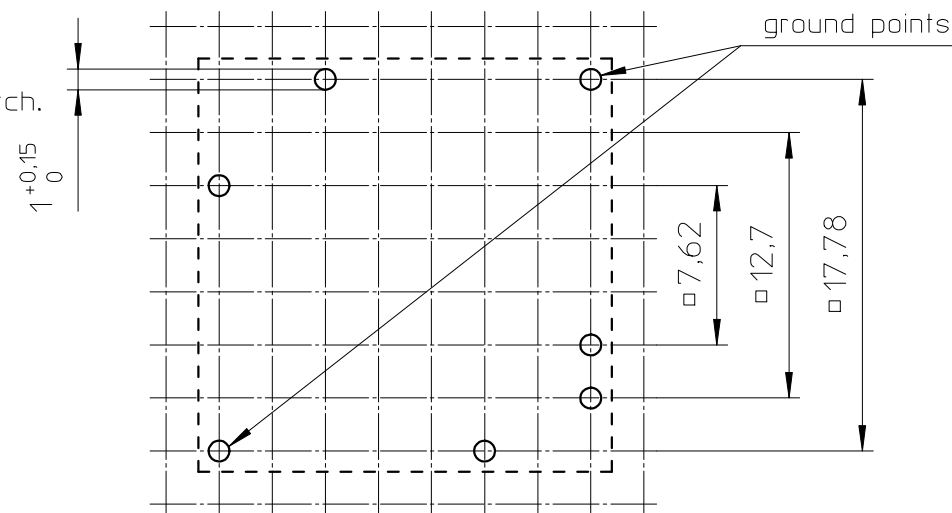


FERROXCUBE



HOLE PATTERN:

Space requirement 8x8 pitch.



- Coil former material: Bakelite UP 3420 (UP), glass-reinforced.
UL file number: E61040 - UL94V-0.
- Pin material: CuSn - Ni flash, Sn plated.
- Max. operating temp.: acc. to IEC 60 085 class F, 155°C.
- Resistance to soldering heat: acc. to IEC 60 068-2-20 Part 2, Test Tb, method 1B, 350°C - 3.5sec.
- Solderability: acc. to IEC 60 068-2-20 Part 2, Test Ta, method 1, 235°C - 2sec.
- Min. winding area: 30 mm².
- Mean length of turn: 42 mm.

CLASS.NO.	89-12-15		112 - 001		010	04-09-28
NAME NAAM MPA			M.Veekens		SUPERVISOR VERV. BL	
CHECK CONTR.			DAT.		PROPERTY OF EIGENDOM VAN	
			89-08-15		© FERROXCUBE 2000	
CSV-RM8-1S-8PL			4322 021 34871		2005-09-01	
					97-04-18	
					00-05-02	
					00-08-01	
					A3	