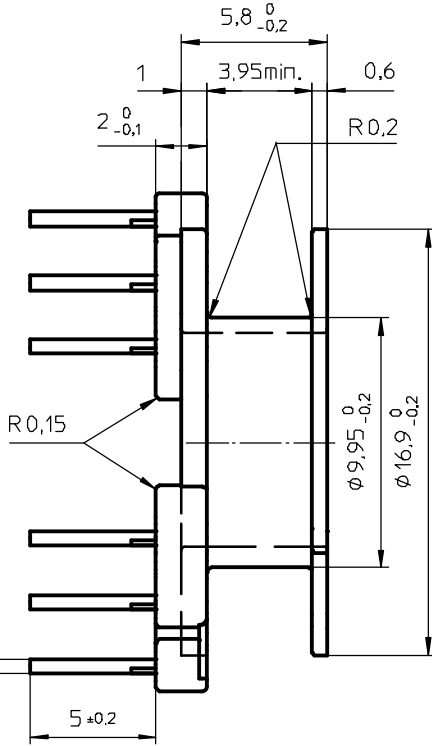
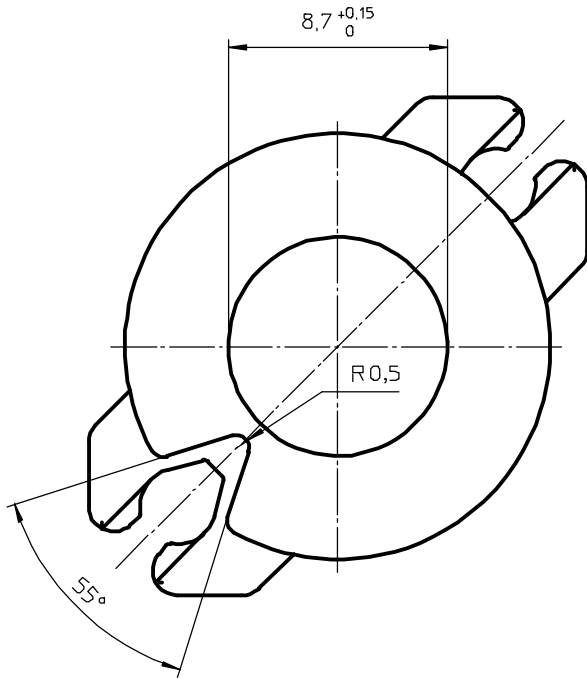
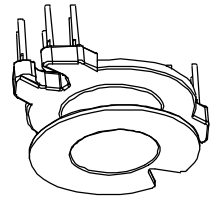
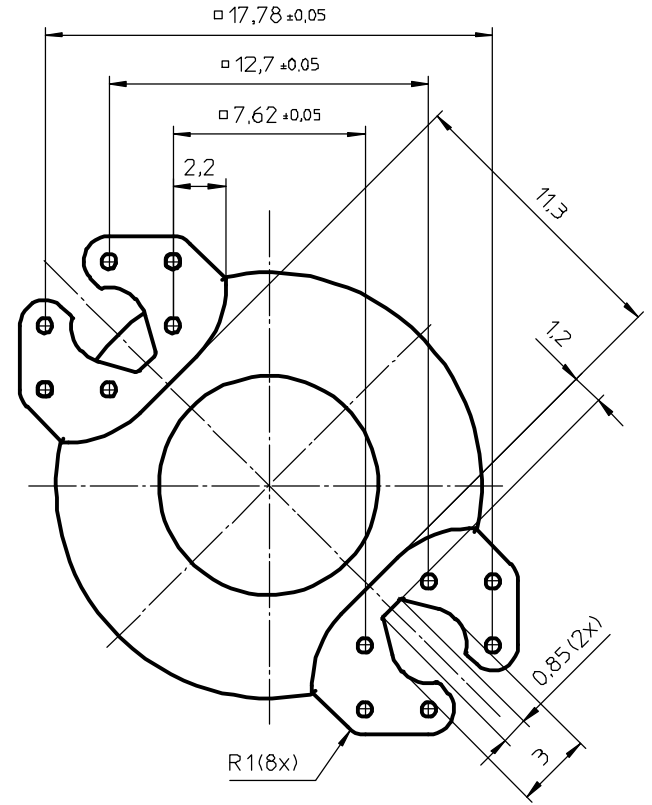


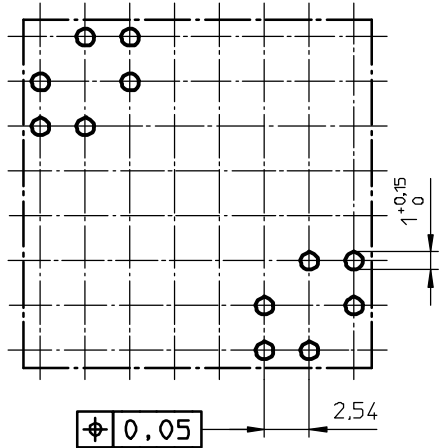
FERROXCUBE



Pull-out force:
min. 9N per pin.



HOLE PATTERN:



Coil former material: Sumikon PM9630 (PF), glass-reinforced,
UL file number: E41429 - UL94V-0

Pin material: Copper-clad steel, Sn plated,
Max. operating temp.: acc. to IEC 60 085 class F, 155°C.

Resistance to soldering heat: acc. to IEC 60 068-2-20 Part 2, Test Tb, method 1B, 350°C - 3,5s.

Solderability: acc. to IEC 60 068-2-20 Part 2, Test Ta, method 1, 235°C - 2s.

Min. winding area: 13,3 mm²

Mean length of turn: 41,8 mm.

CLASS NO.		03-02-20	
NAME		CSV-RM8/LP-1S-12P-Z	
M.P.A.		4322 021 06121	
NAME	M. Veekens	SUPPERS	1
NO. 20		BL	112 - 001
CHECK		DATE	069
CONTR.		DATE	03-02-20
Property of		© FERROXCUBE 2000	
		Eigendom van	
		A3	