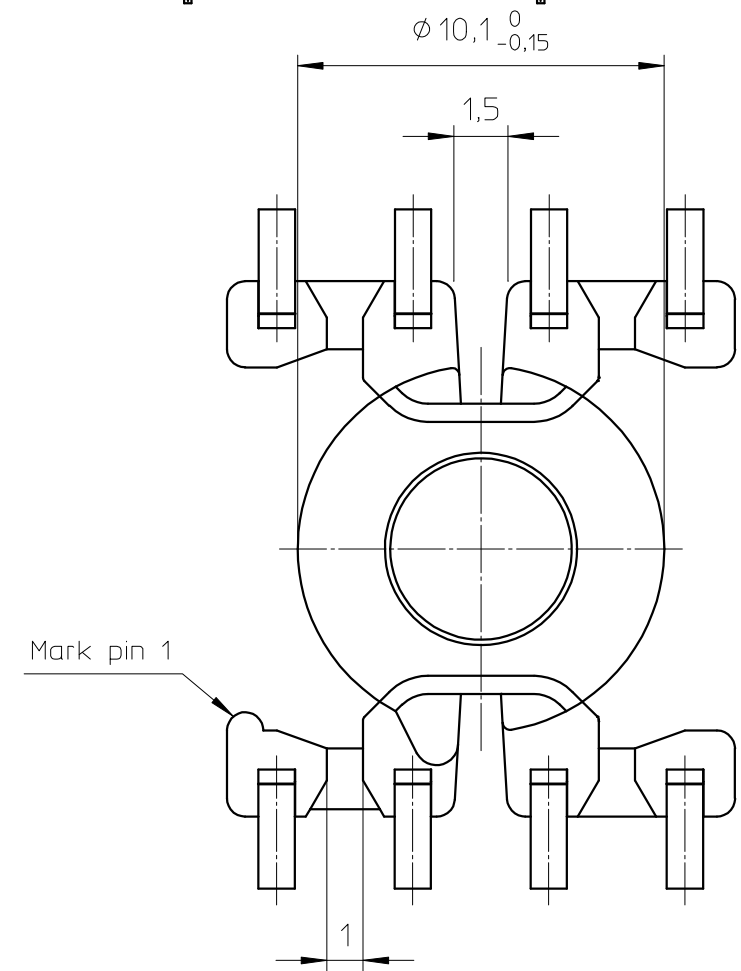
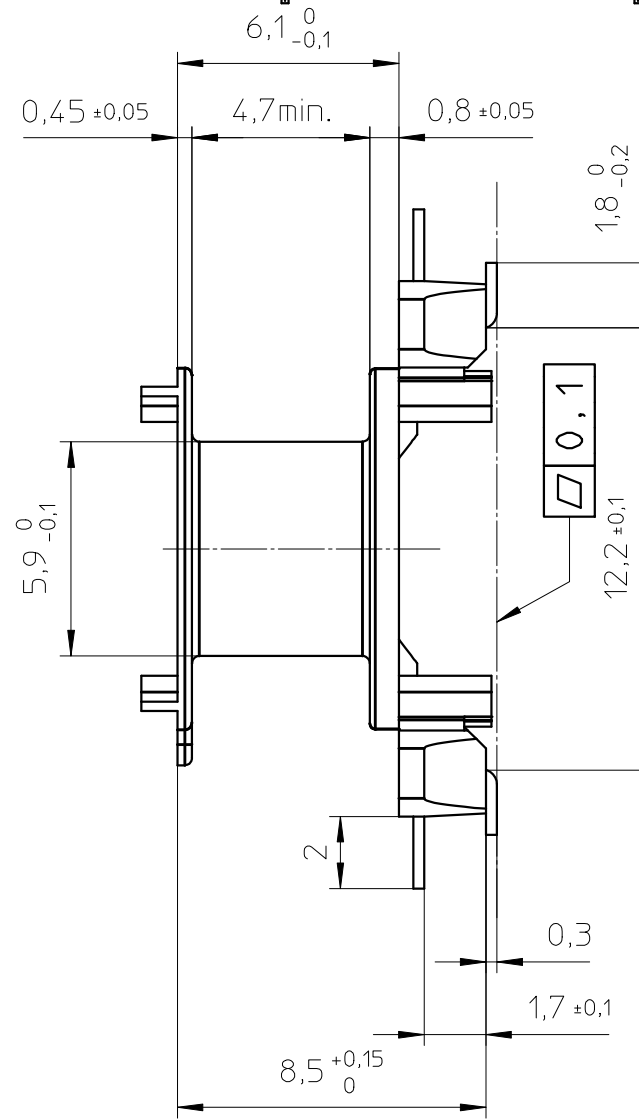
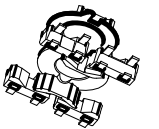


PROPOSED PAD ARRANGEMENT:



- Coil former material: Sumikon PM9630 (PF), glass-reinforced.
- UL file number: E41429(M) - UL94V-0.
- Pin material: CuSn - Ni flash, Sn plated.
- Max. operating temp.: acc. to IEC 60 085 class F, 155°C.
- Resistance to soldering heat: acc. to IEC 60 068-2-20 Part 2, Test Tb, method 1B, 350°C - 3,5s
- Solderability: acc. to IEC 60 068-2-20 Part 2, Test Ta, method 1, 235°C - 2s.
- Min. winding area: 9,5 mm².
- Mean length of turn: 24,9 mm.



CLASS.NO.	CSVS-RM5-1S-8P		4322 021 02881	01-06-27		
00-05-29				05-09-01		
				00-04-07		
				00-05-29		
				00-07-14		
NAME NAAM MPA	M.Veekens	SUPERS. VERV.	001 ^{SH} BL	112 - 001	069	A3
CHECK CONTR.	DAT.	99-06-18	Property of Eigendom van		© FERROXCUBE 2000	