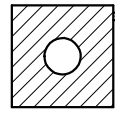
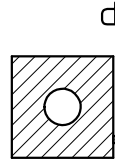


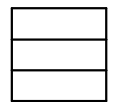
**FERROXCUBE**



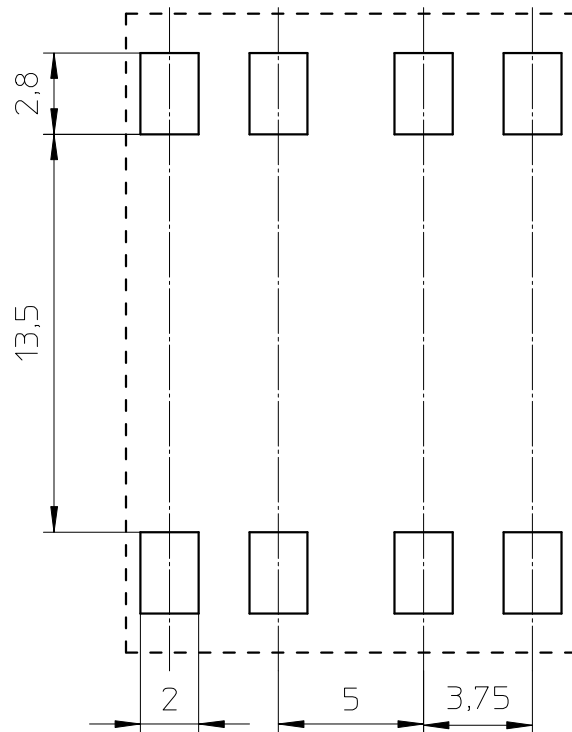
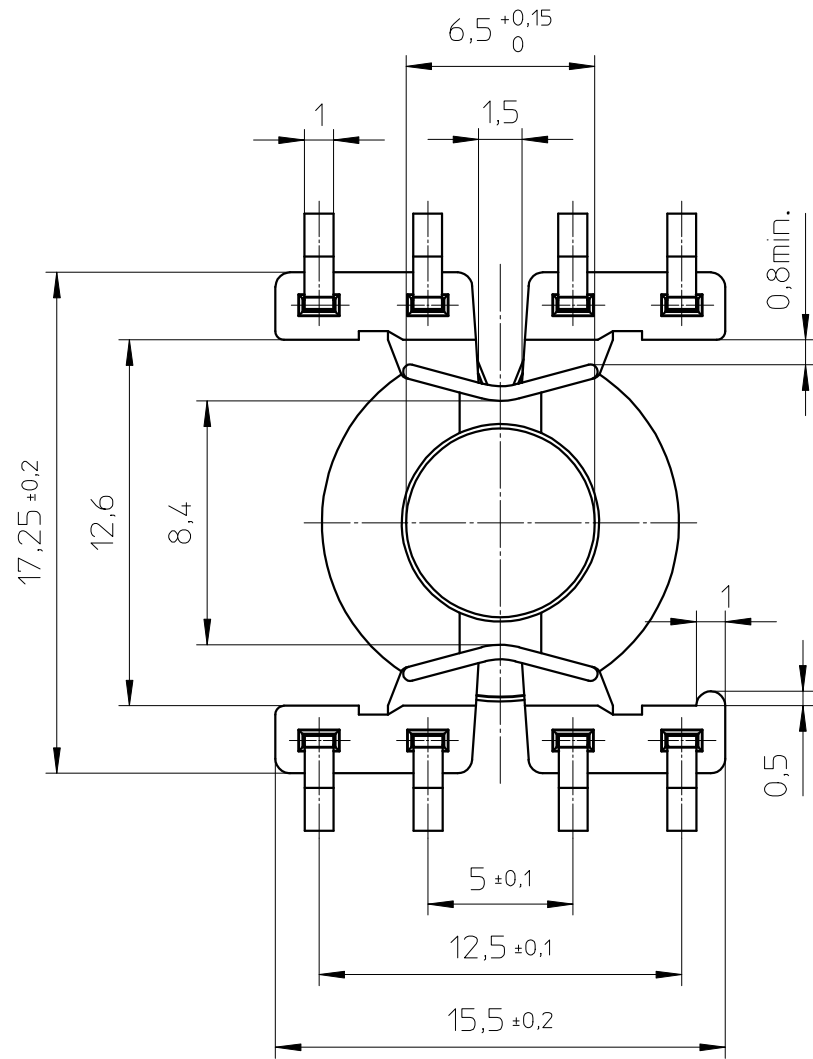
c



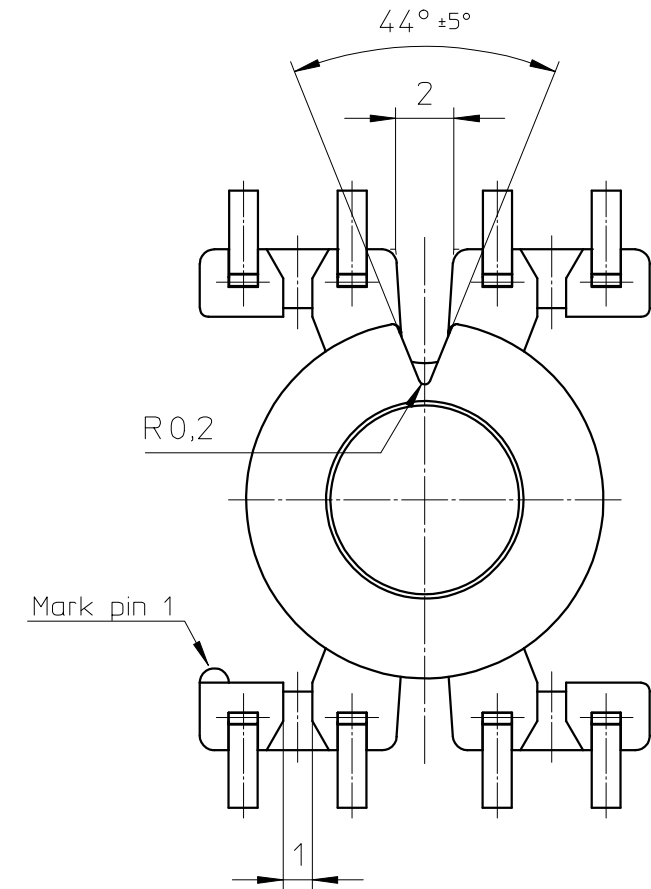
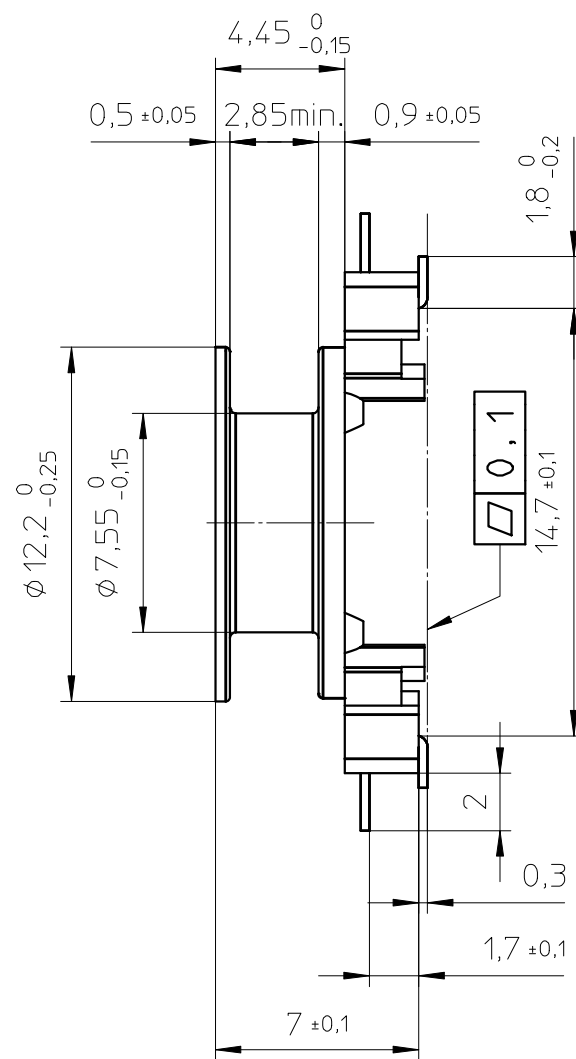
e



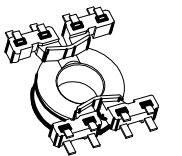
f



PROPOSED PAD ARRANGEMENT:



Coil former material: Sumikon PM9630 (PF), glass-reinforced.  
 UL file number: E41429(M) - UL94V-0.  
 Pin material: CuSn, Sn plated.  
 Max. operating temp.: acc. to IEC 60 085 class F, 155°C.  
 Resistance to soldering heat: acc. to IEC 60 068-2-20 Part 2, Test Tb, method 1B, 350°C - 3,5s.  
 Solderability: acc. to IEC 60 068-2-20 Part 2, Test Ta, method 1, 235°C - 2s.  
 Min. winding area: 6,3 mm<sup>2</sup>.  
 Mean length of turn: 31 mm.



CLASS.NO.	99-02-25	
	99-04-27	
	99-08-17	
	00-05-17	
	05-09-01	
NAME NAAM	M.Veekens	SUPERS. VERV.
MPA	CHECK CONTR.	DAT.
	98-08-27	Property of Eigendom van
	001	SH BL.
	112 - 001	069
		A3

CSVS-RM6S/LP-1S-8P

4322 021 02891

© FERROXCUBE 2000