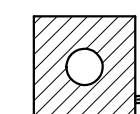


c

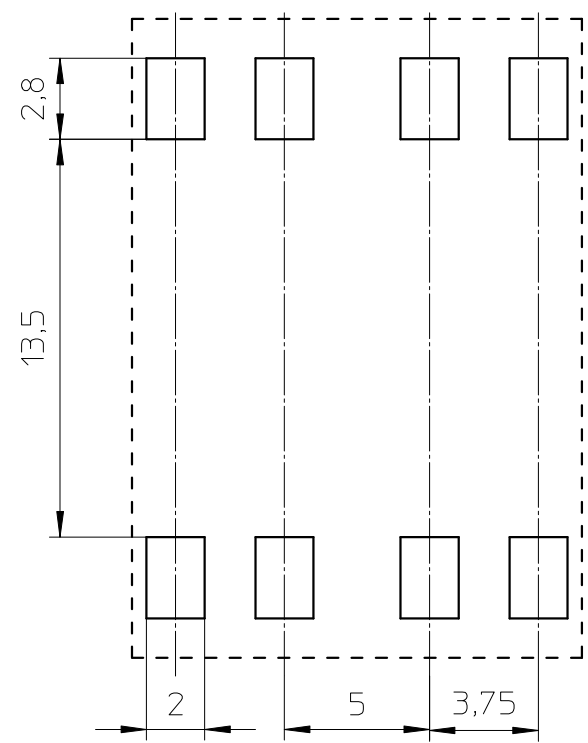
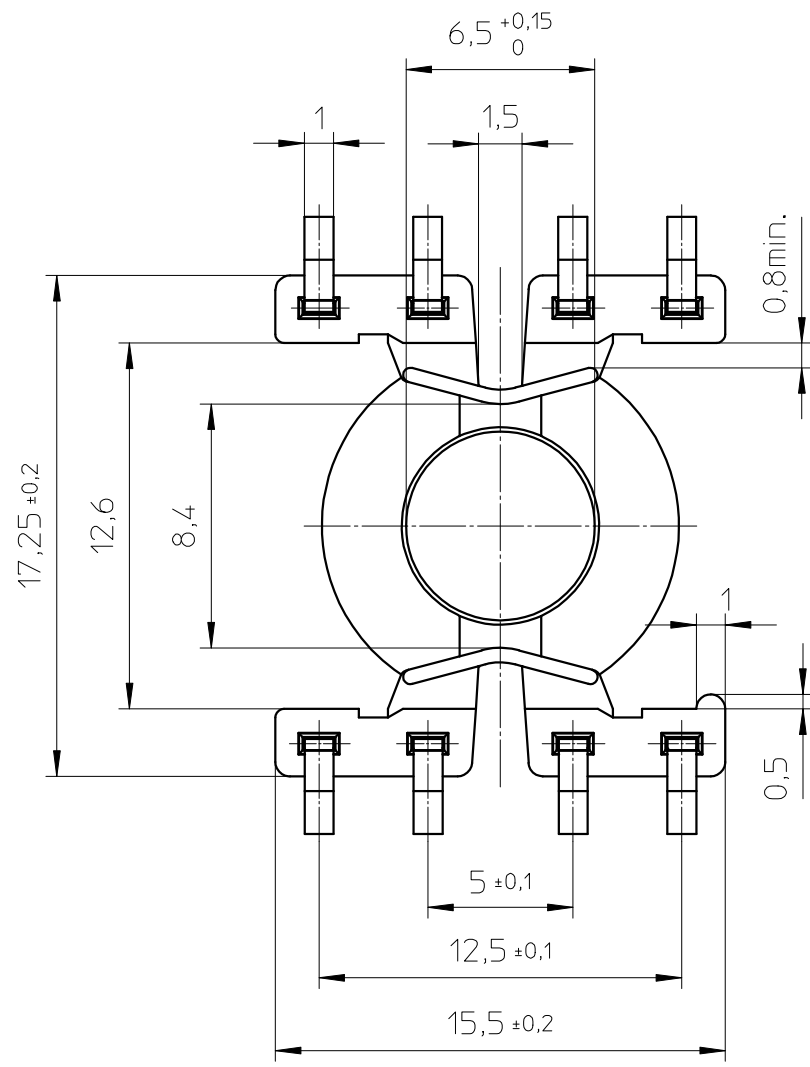
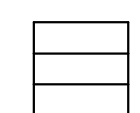


d

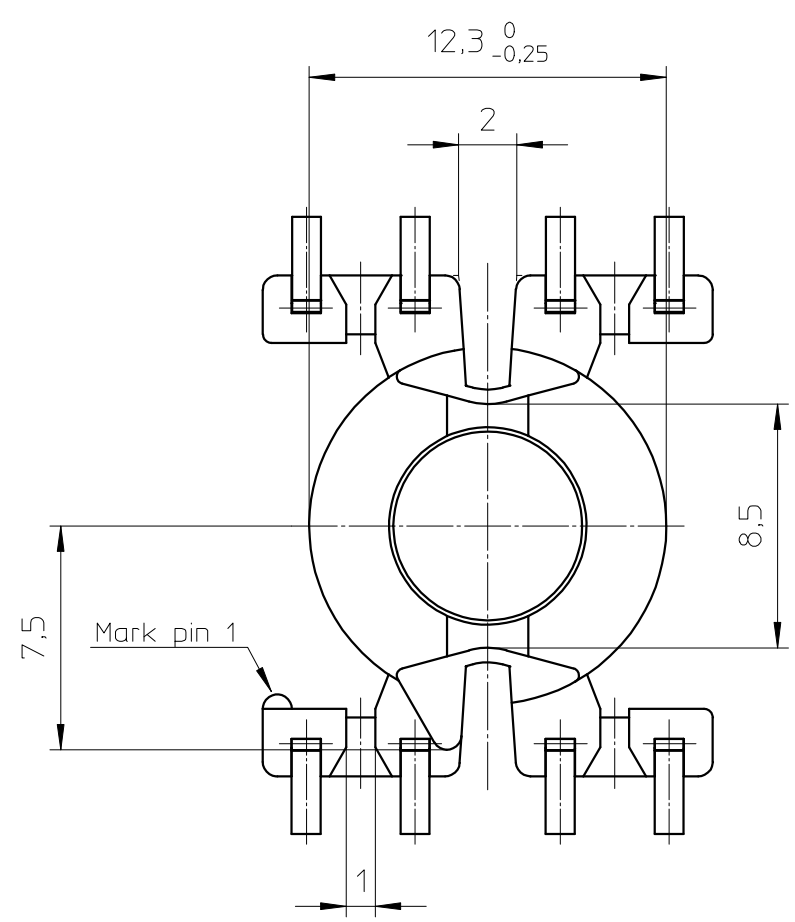
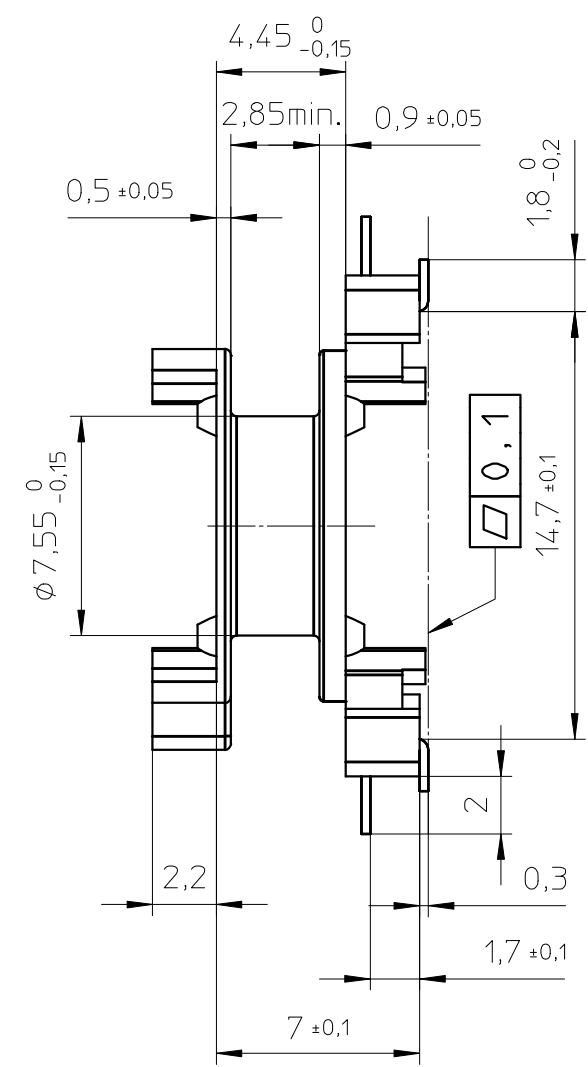


e

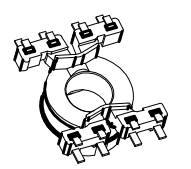
f



PROPOSED PAD ARRANGEMENT:



- Coil former material: Sumikon PM9630 (PF), glass-reinforced.
UL file number: E41429(M) - UL94V-0.
- Pin material: CuSn, Sn plated.
- Max. operating temp.: acc. to IEC 60 085 class F, 155°C.
- Resistance to soldering heat: acc. to IEC 60 068-2-20 Part 2, Test Tb, method 1B, 350°C - 3.5s.
- Solderability: acc. to IEC 60 068-2-20 Part 2, Test Ta, method 1, 235°C - 2s.
- Min. winding area: 6,4 mm².
- Mean length of turn: 31,4 mm.



CLASS.NO.	CSVS-RM6S/LP-1S-8P-B		4322 021 03431	99-07-01	99-09-13	00-05-17	05-09-01
NAME NAAM	M.Veekens	SUPERS. VERV.	001	SH BL.	112 - 001	069	A3
MPA	CHECK CONTR.	DAT.	99-07-01	Property of Eigendom van	© FERROXCUBE 2000		