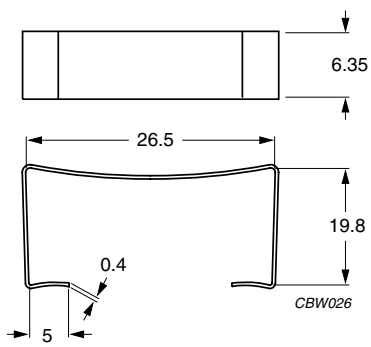


MOUNTING PARTS

General data for mounting parts

ITEM	REMARKS	FIGURE	TYPE NUMBER
Clamp	stainless steel (CrNi); clamping force 30 N	4	CLM-E25/10/6



Dimensions in mm.

Fig.4 E25/10/6 clamp.