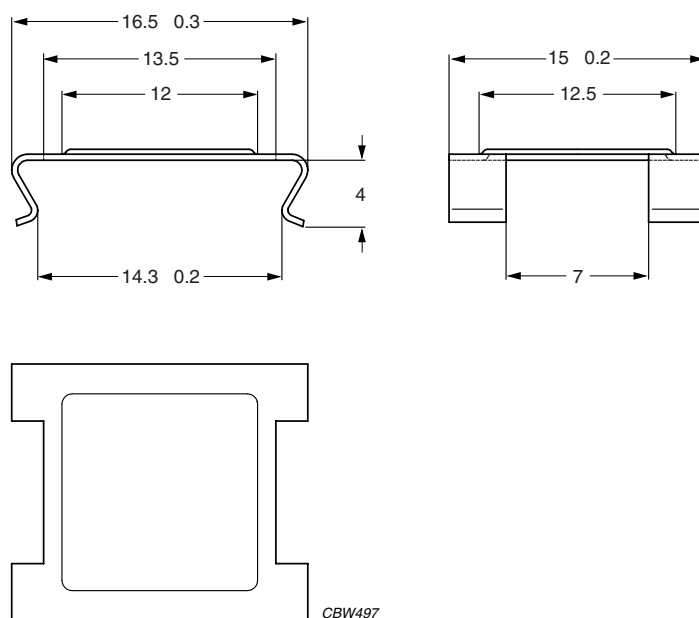


**MOUNTING PARTS**

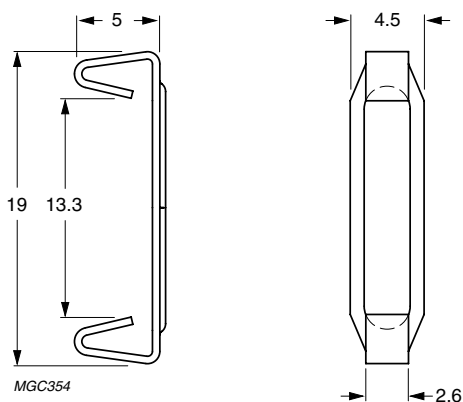
**General data**

ITEM	REMARKS	FIGURE	TYPE NUMBER
Clamp	stainless steel (CrNi); clamping force 25 N	7	CLM-EFD15
Clip	stainless steel (CrNi); clamping force 12.5 N	8	CLI-EFD15



Dimensions in mm.

Fig.7 Clamp: CLM-EFD15.



Dimensions in mm.

Fig.8 Clip: CLI-EFD15.