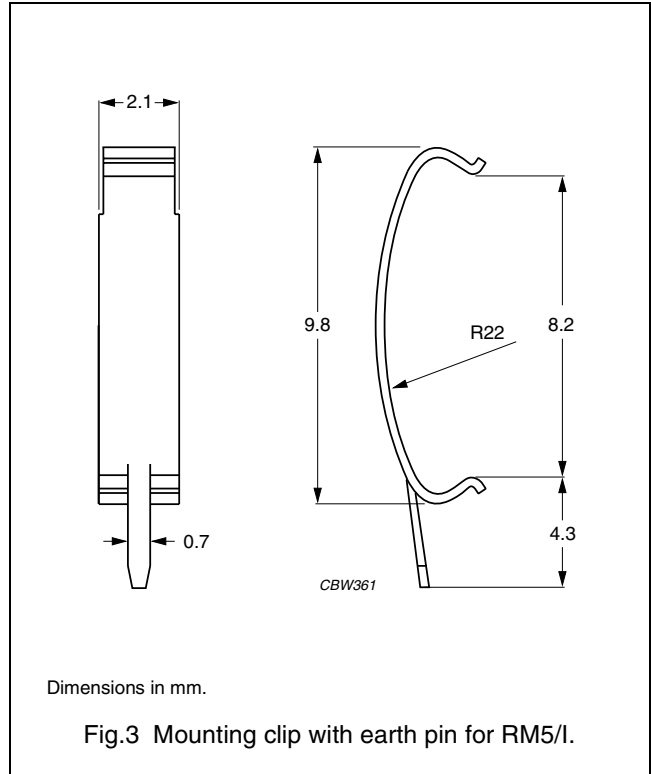


MOUNTING PARTS

General data mounting clip with earth pin

ITEM	SPECIFICATION
Clamping force	6 N
Clip material	stainless steel (CrNi)
Clip plating	tin-lead alloy (SnPb)
Solderability	"IEC 60068-2-20", Part 2, Test Ta, method 1
Type number	CLI/P-RM4/5/I



General data mounting clip without earth pin

ITEM	SPECIFICATION
Clamping force	5 N
Clip material	stainless steel (CrNi)
Type number	CLI-RM4/5/I

