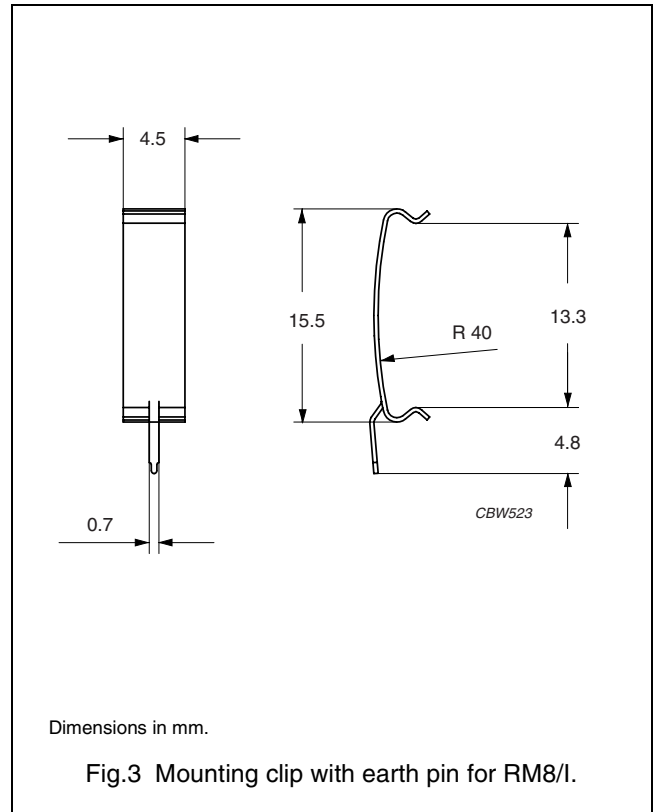


MOUNTING PARTS

General data

ITEM	SPECIFICATION
Clamping force	15 N
Clip material	stainless steel
Clip plating	tin-lead alloy (SnPb)
Solderability	"IEC 60068-2-20", Part 2, Test Ta, method 1
Type number	CLI/P-RM8/I



General data

ITEM	SPECIFICATION
Clamping force	15 N
Clip material	stainless steel
Type number	CLI-RM8/I

