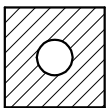
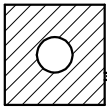
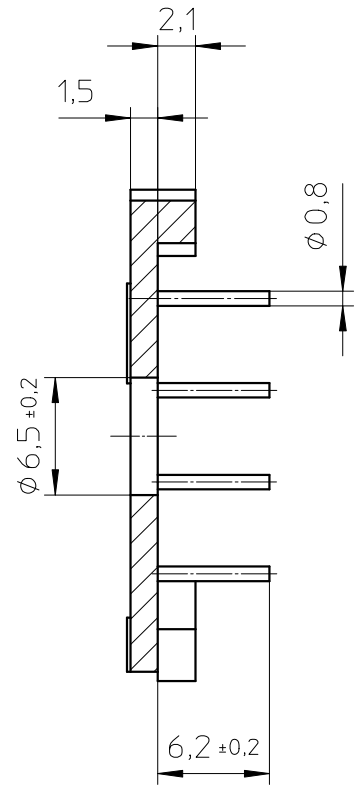
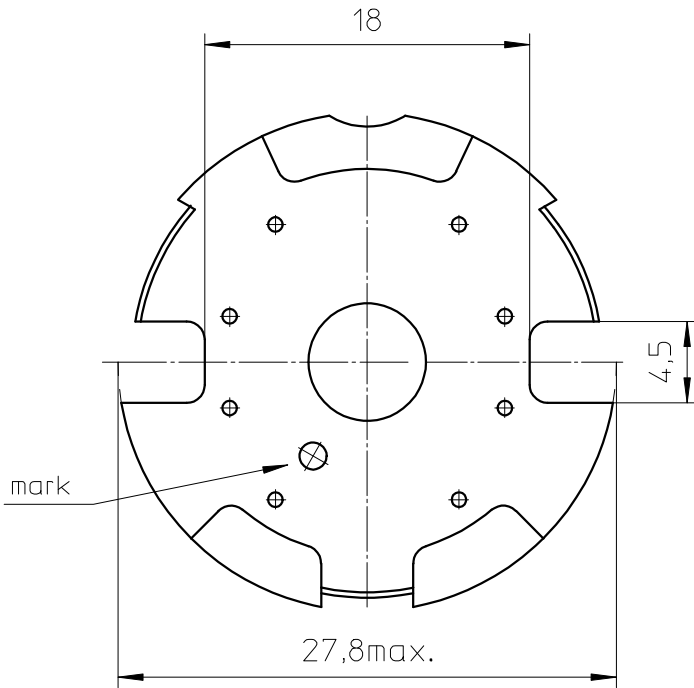


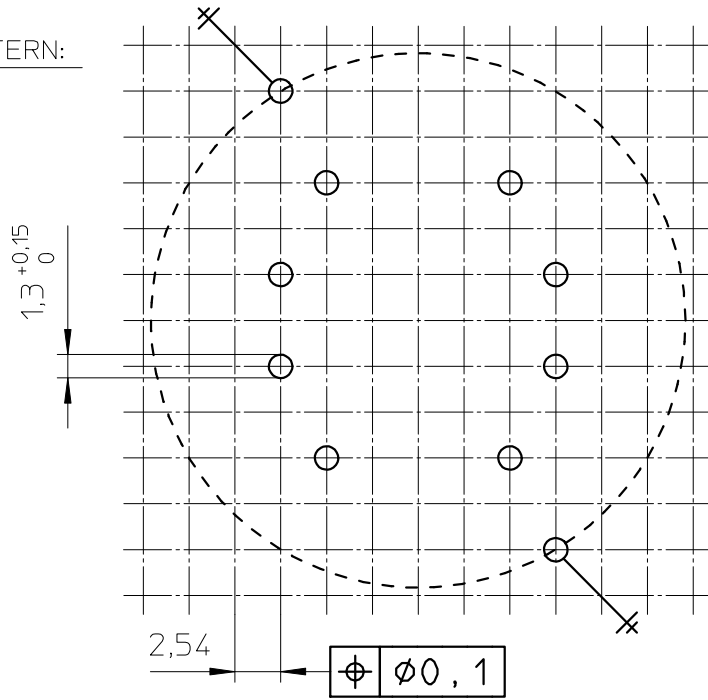
FERROXCUBE



1 2 3 4



HOLE PATTERN:



Tag plate material: Sumikon PM9630 (PF), glass-reinforced.

UL filenumber: E41429 UL94V-0.

Pin material: Copperclad steel, Sn plated.

Max. operating temp.: 180°C.

Resistance to soldering heat: 430°C - 2sec.

Solderability: IEC 68-2-20 Part 2, Test Ta, method 1.

CLASS.NO.		TGP-P26/16-C		4322 021 04291		02-07-09	
						05-06-06	
NAME NAAM	Tjon	SUPERS. VERV.	1	SH BL.	112 - 001	010	A4
MPA	CHECK CONTR.	DAT.	2002-07-09	Property of Eigendom van		© FERROXCUBE 2000	