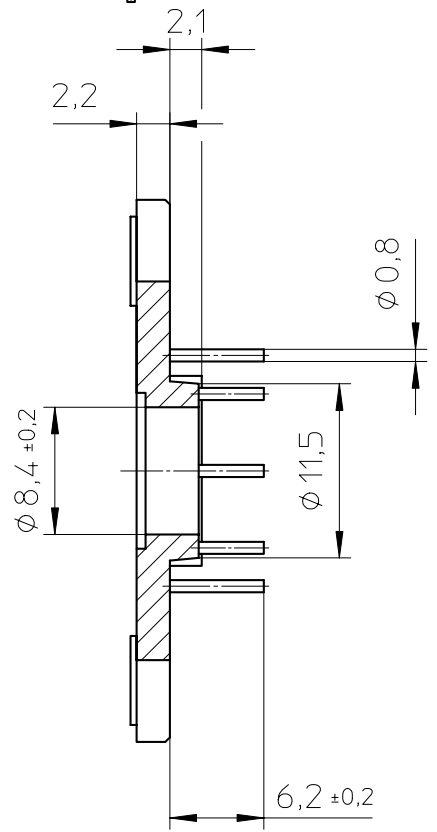
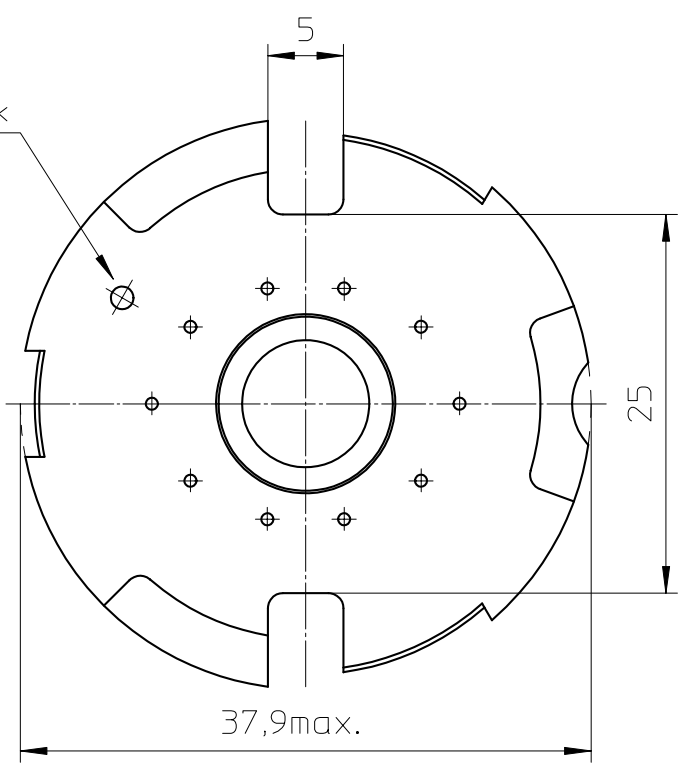
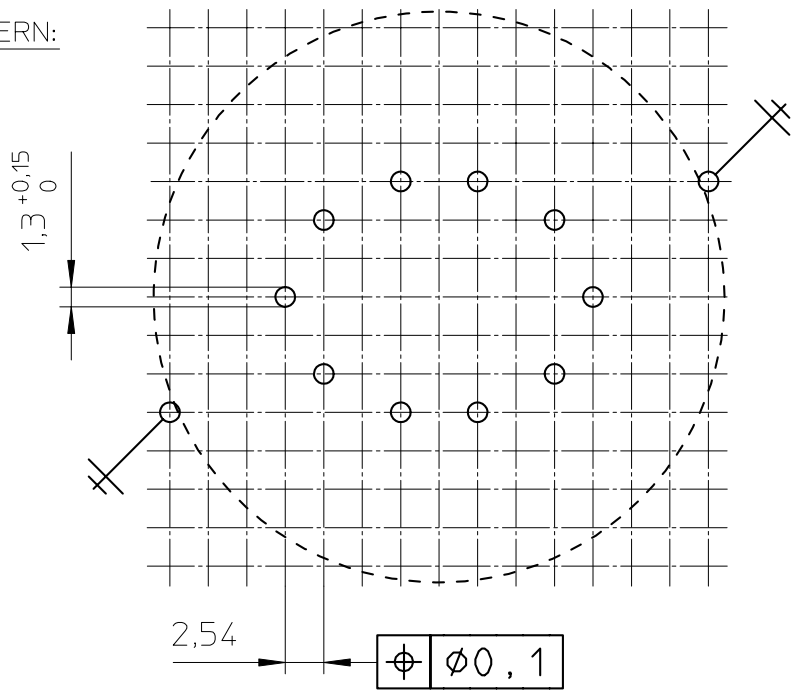


mark



HOLE PATTERN:



Tag plare material: Sumikon PM9820 (PF), glass-reinforced.

UL filenumber: E41429 - UL94V-0.

Pin material: Copperclad steel, Sn plated.

Max. operating temp.: 180°C.

Resistance to soldering heat: 430°C - 2sec.

Solderability: IEC 68-2-20 Part 2, Test Ta, method 1.

CLASS.NO.		TGP-P36/22-C		4322 021 04311		02-07-09	
						06-02-23	
NAME NAAM	A.Wojtasz	SUPERS. VERV.		1 SH BL.	SH BL. 112 - 001	010	A4
MPA	CHECK CONTR.	DAT.	2002-07-09	Property of Eigendom van		© FERROXCUBE 2000	