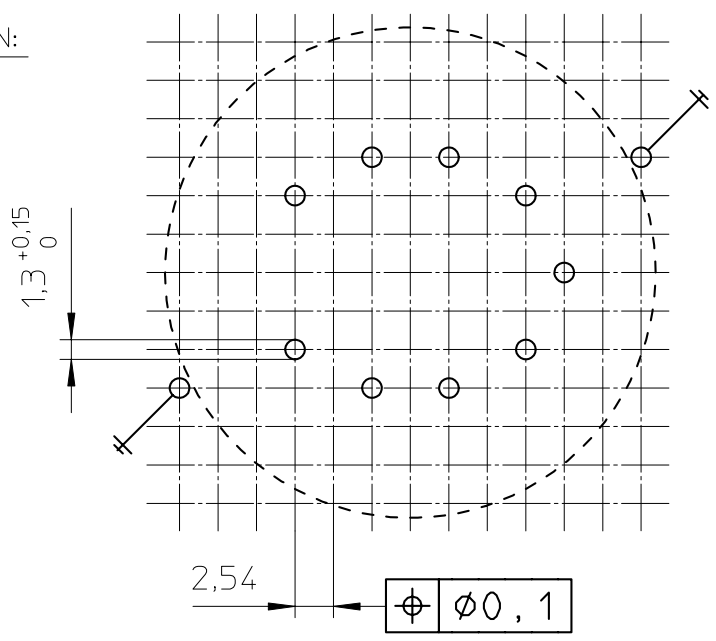


HOLE PATTERN:



Tag plate material: Sumikon PM9630 (PF), glass-reinforced.  
 UL filenumber: E41429 - UL94V-0.  
 Pin material: Copperclad steel, Sn plated.  
 Max. operating temp.: 180°C.  
 Resistance to soldering heat: 430°C - 2sec.  
 Solderability: IEC 68-2-20 Part 2, Test Ta, method 1.

CLASS.NO.		TGP-P30/19-C		4322 021 04301		02-07-09		
						06-02-23		
NAME NAAM	A.Wojtasz	SUPERS. VERV.		1 SH BL.	SH BL.	112 - 001	010	A4
MPA	CHECK CONTR.	DAT.	2002-07-09	Property of Eigendom van		© FERROXCUBE 2000		