

# DATA SHEET

**TC7.6/3.2/4.8**  
Ferrite toroids

Supersedes data of September 2004

2008 Sep 01

**RING CORES (TOROIDS)**

**Effective core parameters**

SYMBOL	PARAMETER	VALUE	UNIT
$\Sigma(l/A)$	core factor (C1)	1.51	mm <sup>-1</sup>
$V_e$	effective volume	148	mm <sup>3</sup>
$l_e$	effective length	15.0	mm
$A_e$	effective area	9.92	mm <sup>2</sup>
m	mass of core	≈ 0.7	g

**Coating**

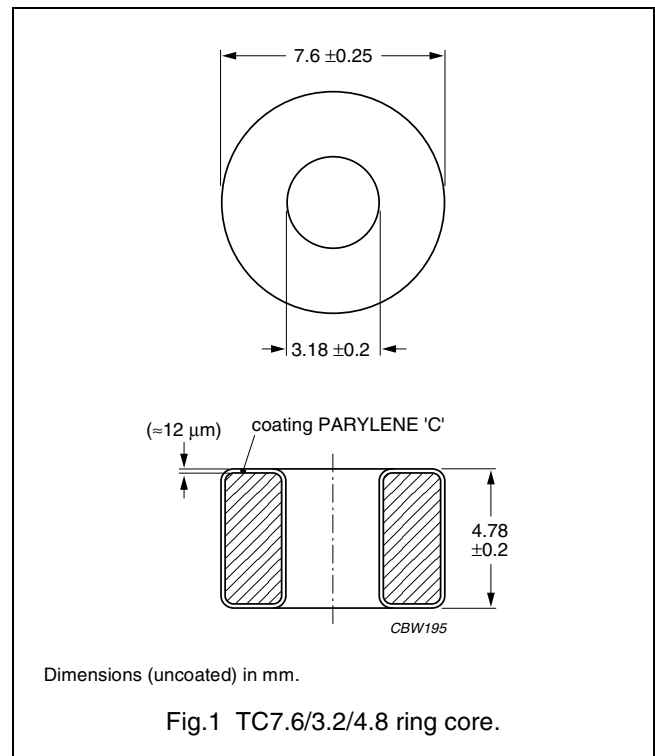
The cores are coated with parylene C, flame retardant in accordance with "UL 94V-2"; UL file number E 194397. The coating is transparent.

Maximum operating temperature is 90 °C.

**Isolation voltage**

DC isolation voltage: 1000 V.

Contacts are applied on the edge of the ring core, which is also the critical point for the winding operation.



**Ring core data**

GRADE	$A_L$ (nH)	$\mu_i$	TYPE NUMBER
3C90	1915 ±25%	≈ 2300	TC7.6/3.2/4.8-3C90
3E28 <span style="background-color: black; color: white; padding: 0 2px;">des</span>	3800 ±30%	≈ 4000	TC7.6/3.2/4.8-3E28
3E6 <span style="background-color: black; color: white; padding: 0 2px;">des</span>	8360 ±30%	≈ 10000	TC7.6/3.2/4.8-3E6
3E8 <span style="background-color: black; color: white; padding: 0 2px;">des</span>	12500 ±30%	≈ 15000	TC7.6/3.2/4.8-3E8




**DATA SHEET STATUS DEFINITIONS**

DATA SHEET STATUS	PRODUCT STATUS	DEFINITIONS
Preliminary specification	Development	This data sheet contains preliminary data. Ferroxcube reserves the right to make changes at any time without notice in order to improve design and supply the best possible product.
Product specification	Production	This data sheet contains final specifications. Ferroxcube reserves the right to make changes at any time without notice in order to improve design and supply the best possible product.

**DISCLAIMER**

**Life support applications** — These products are not designed for use in life support appliances, devices, or systems where malfunction of these products can reasonably be expected to result in personal injury. Ferroxcube customers using or selling these products for use in such applications do so at their own risk and agree to fully indemnify Ferroxcube for any damages resulting from such application.

**PRODUCT STATUS DEFINITIONS**

STATUS	INDICATION	DEFINITION
<b>Prototype</b>		These are products that have been made as development samples for the purposes of technical evaluation only. The data for these types is provisional and is subject to change.
<b>Design-in</b>		These products are recommended for new designs.
<b>Preferred</b>		These products are recommended for use in current designs and are available via our sales channels.
<b>Support</b>		These products are <b>not</b> recommended for new designs and may not be available through all of our sales channels. Customers are advised to check for availability.