

DATA SHEET

UR cores

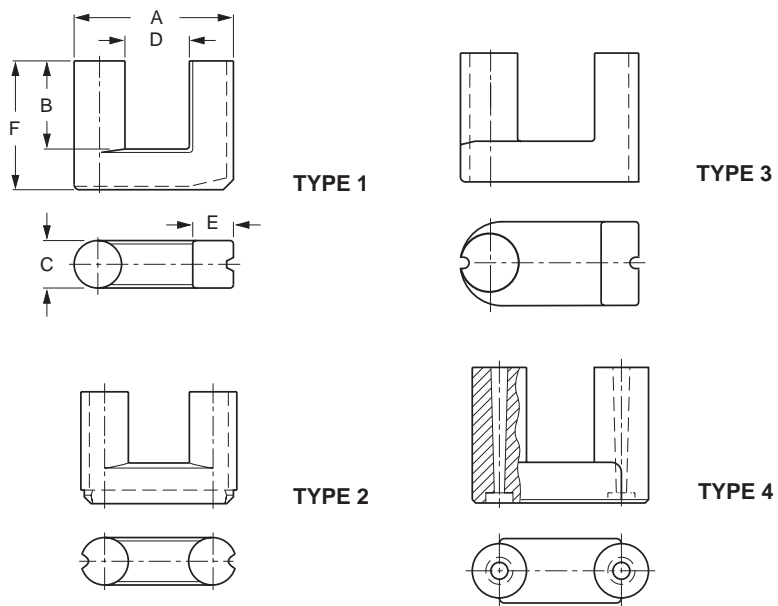
UR cores

Supersedes data of February 2002

2004 Sep 01

PRESENT TYPES

Our present selection is displayed in Table 2. In principle, any core shape can be supplied in all available grades. Other customized shapes can be manufactured on request.



MEA765

For dimensions see Table 1.

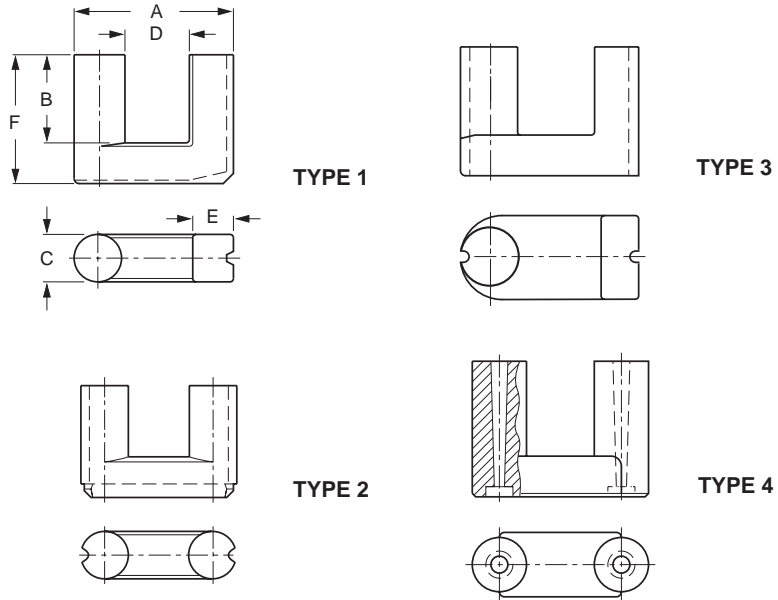
Fig.1 UR cores for line output and welding transformers.

UR cores

UR cores

Table 1 Mechanical data

DESCRIPTION	SHAPE	DIMENSIONS (mm)						EFFECTIVE CORE PARAMETERS				
		A	B	C	D _{min}	E	F	C1 (mm ⁻¹)	V _e (mm ³)	l _e (mm)	A _e (mm ²)	MASS (g)
UR32/28/11	1	32.5	19.5	11.0	12.2	9.0	28.5	1.41	12550	133	94.5	31
UR35/27.5/13	1	35.4	17.5	13.0	12.0	10.0	27.5	1.00	16640	129	129	41
UR38/32/13	1	38.0	22.0	13.0	14.0	10.6	32.5	1.15	20100	152	132	49
UR40/30/14	1	40.0	18.4	14.0	14.1	11.5	30.2	0.957	24310	153	159	58
UR42/34/15	1	42.35	22.6	15.0	14.5	12.0	34.6	0.923	28250	162	175	70
UR44/38/16	1	43.65	25.7	15.9	15.25	12.5	38.1	0.881	34530	174	198	86
UR46/21/11	2	46.2	11.85	11.15	24.4	11.15	21.25	1.47	11600	129	88	29
UR48/39/17	1	48.0	26.9	17.0	17.4	13.0	39.4	0.865	39990	186	215	100
UR55/38/36	3	54.9	25.5	23.5	19.6	12.0	37.5	0.450	78570	188	418	198
UR57/28/16	2	57.65	16.0	15.5	26.9	15.9	28.4	0.953	27900	163	171	70
UR59/36/17	2	59.34	21.9	17.0	25.5	17.0	35.8	0.900	39700	189	210	99
UR64/29/14	2	64.0	18.1	13.8	36.1	13.8	29.5	1.26	27040	185	147	71
UR64/40/20	4	64.0	26.5	20.0	23.2	20.0	40.5	0.724	61000	210	290	160
UR70/33/17	2	68.37	19.05	17.25	35.0	17.25	33.35	0.921	43800	197	214	103



MEA765

For type numbers see Table 2.

Fig.2 UR cores for line output and welding transformers.

UR cores

UR cores

Table 2 Type numbers

SHAPE	MATERIAL GRADE		
	3C81	3C30	3C90
1		UR32/28/11-3C30	
1		UR35/27.5/13-3C30	
1		UR38/32/13-3C30	
1		UR40/30/14-3C30	
1		UR42/34/15-3C30	
1		UR44/38/16-3C30	
2	UR46/21/11-3C81	UR46/21/11-3C30	UR46/21/11-3C90
1		UR48/39/17-3C30	
3			UR55/38/36-3C90
2	UR57/28/16-3C81	UR57/28/16-3C30	UR57/28/16-3C90
2	UR59/36/17-3C81	UR59/36/17-3C30	UR59/36/17-3C90
2	UR64/29/14-3C81	UR64/29/14-3C30	UR64/29/14-3C90
4			UR64/40/20-3C90
2	UR70/33/17-3C81	UR70/33/17-3C30	UR70/33/17-3C90




DATA SHEET STATUS DEFINITIONS

DATA SHEET STATUS	PRODUCT STATUS	DEFINITIONS
Preliminary specification	Development	This data sheet contains preliminary data. Ferroxcube reserves the right to make changes at any time without notice in order to improve design and supply the best possible product.
Product specification	Production	This data sheet contains final specifications. Ferroxcube reserves the right to make changes at any time without notice in order to improve design and supply the best possible product.

DISCLAIMER

Life support applications — These products are not designed for use in life support appliances, devices, or systems where malfunction of these products can reasonably be expected to result in personal injury. Ferroxcube customers using or selling these products for use in such applications do so at their own risk and agree to fully indemnify Ferroxcube for any damages resulting from such application.

PRODUCT STATUS DEFINITIONS

STATUS	INDICATION	DEFINITION
Prototype		These are products that have been made as development samples for the purposes of technical evaluation only. The data for these types is provisional and is subject to change.
Design-in		These products are recommended for new designs.
Preferred		These products are recommended for use in current designs and are available via our sales channels.
Support		These products are not recommended for new designs and may not be available through all of our sales channels. Customers are advised to check for availability.