

DATA SHEET

SMD wideband chokes metallized EMI-suppression products

Supersedes data of September 2004

2008 Sep 01

EMI-suppression products

SMD wideband chokes metallized

SMD wideband choke metallized WBSM2.5-5/4.8/10

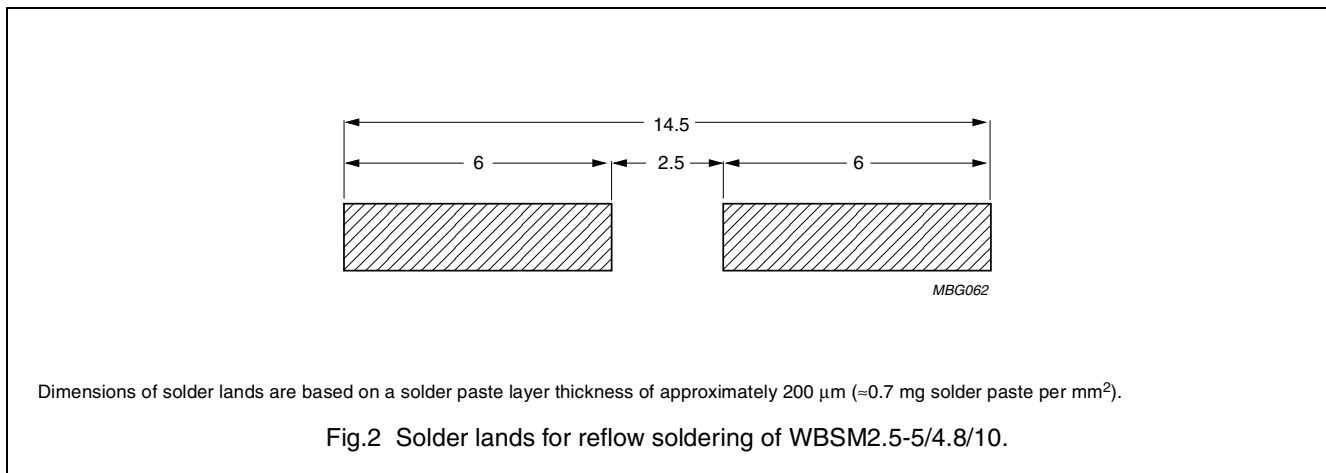
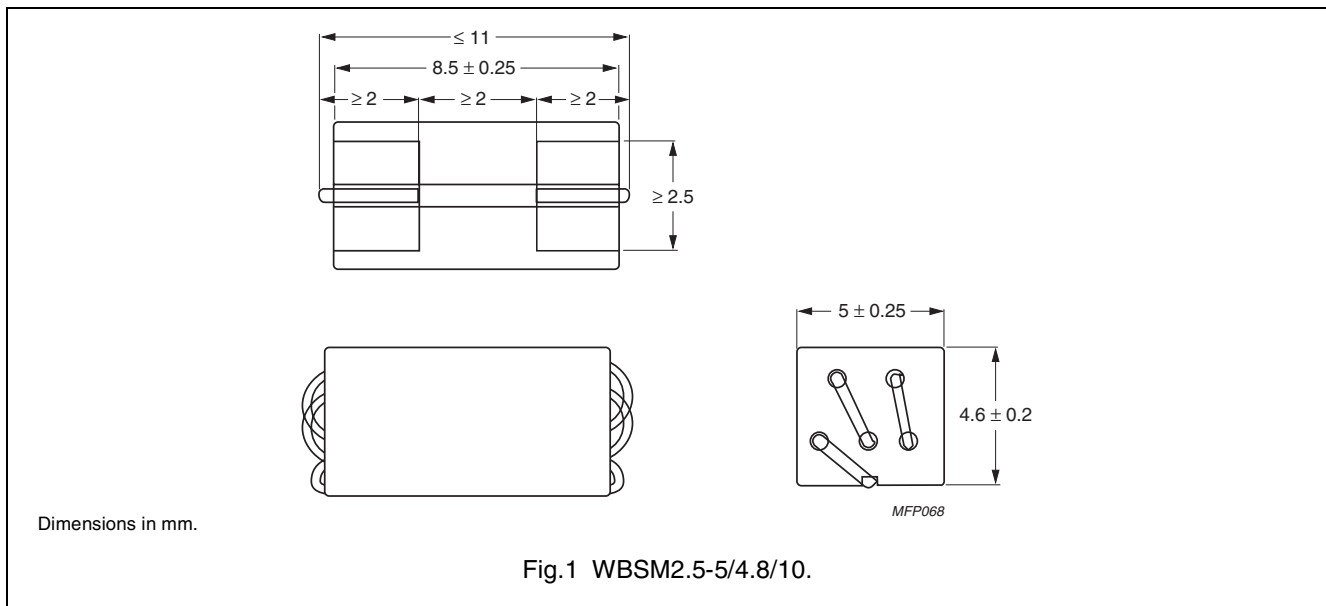
ITEM	SPECIFICATION
Strip material	copper (Cu), tin (Sn) plated
Metallization	copper-tin (CuSn)
Solderability	"IEC 60068-2-58", Part 2, Test Ta, method 1
Mass	≈0.9 g
Taping method	"IEC 60286-3" and "EIA 481-2"

Grades, parameters and type numbers; see Fig. 1

GRADE	$ Z_{typ} ^{(1)}$ (Ω)	at f (MHz)	TYPE NUMBER
4B1	485	25	WBSM2.5-5/4.8/10-4B1
	850	100	
	350	300	

Note

1. Typical values, $|Z|_{min}$ is -20%.



Soldering profiles

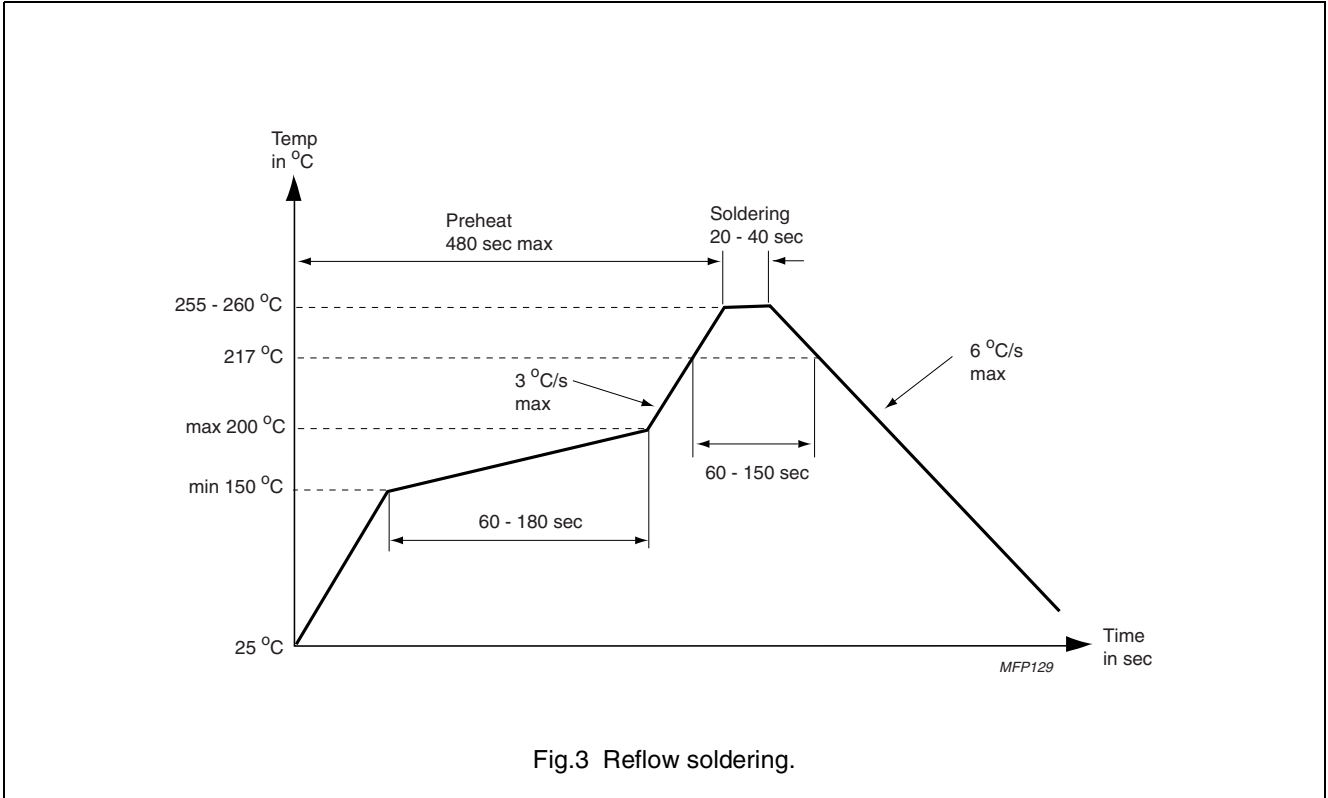
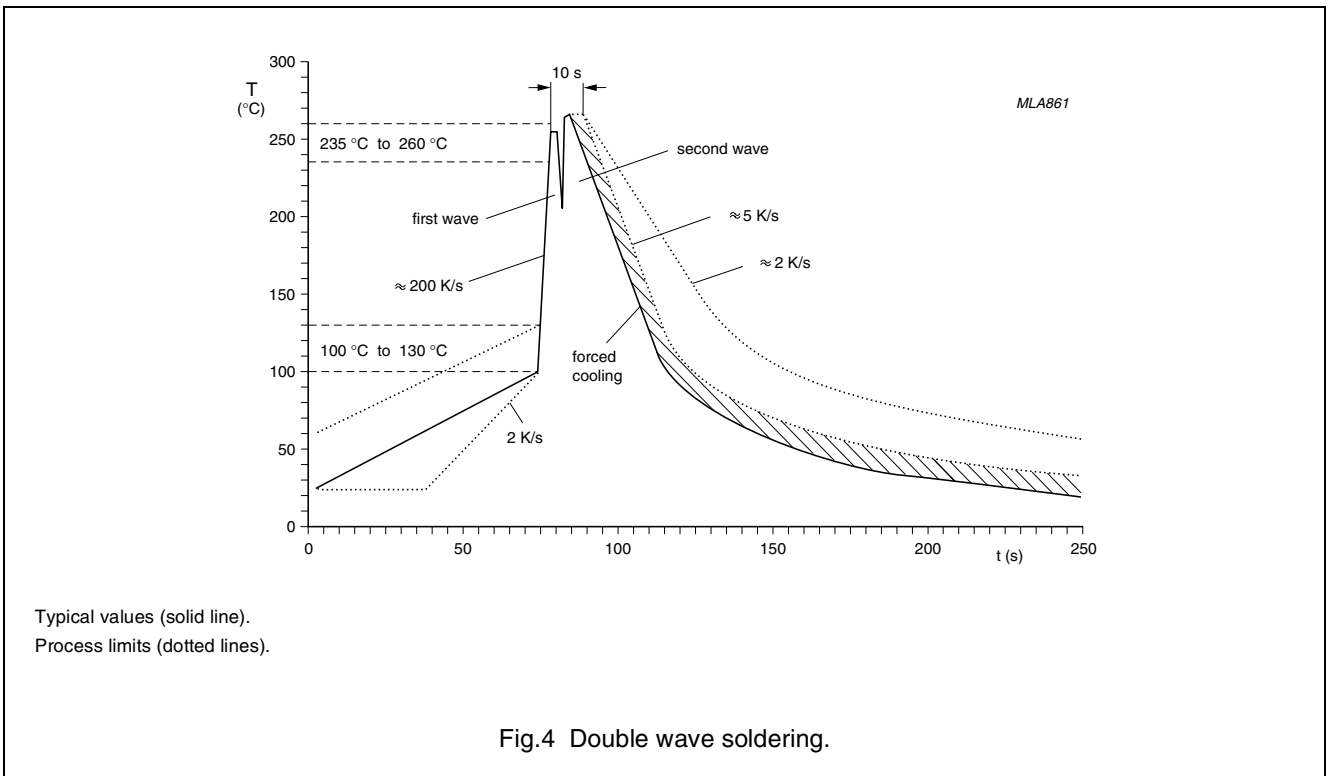


Fig.3 Reflow soldering.



Typical values (solid line).
Process limits (dotted lines).

Fig.4 Double wave soldering.

BLISTER TAPE AND REEL DIMENSIONS

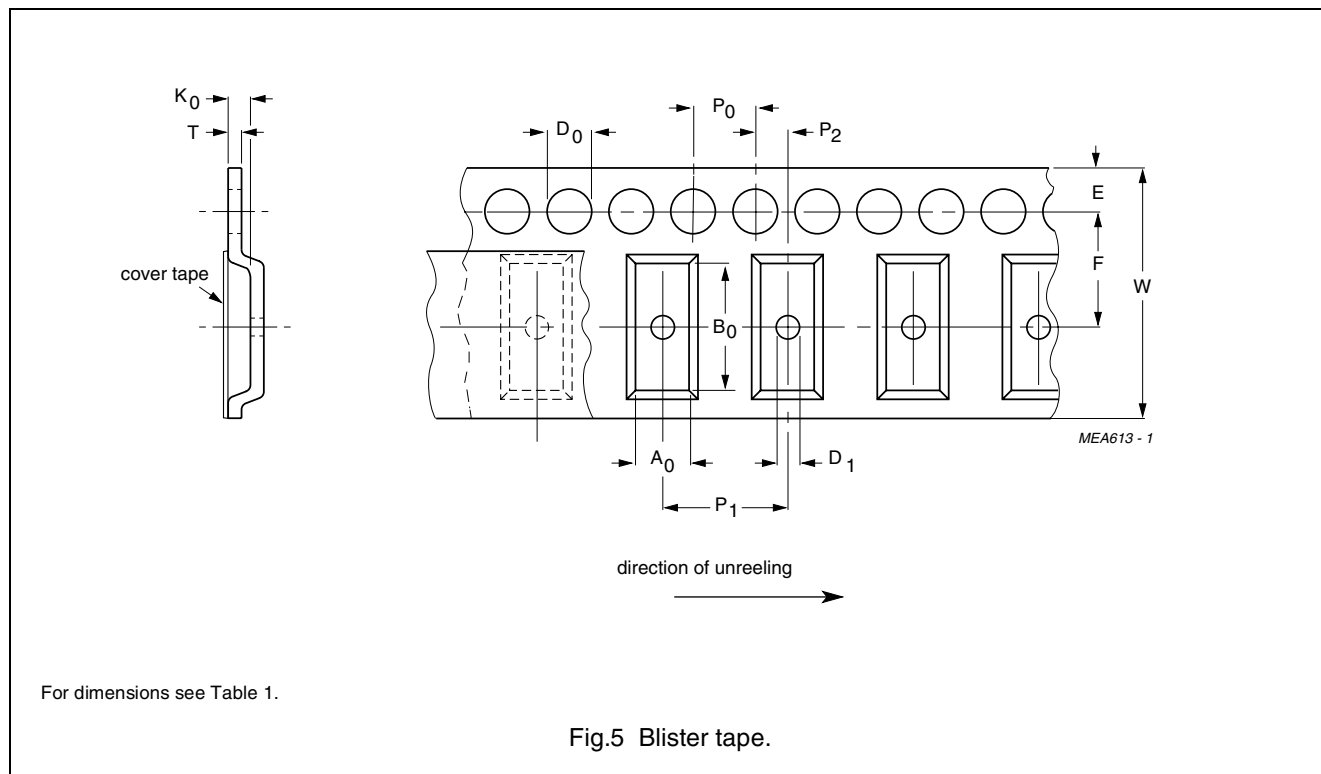


Table 1 Physical dimensions of blister tape; see Fig. 5

SIZE	DIMENSIONS (mm)
	WBSM2.5-5/4.8/10
A_0	5.51
B_0	11
K_0	5.03
T	0.36
W	24
E	1.75
F	11.5
D_0	1.5
D_1	≥ 1.5
P_0	4.0
P_1	8.0
P_2	2.0

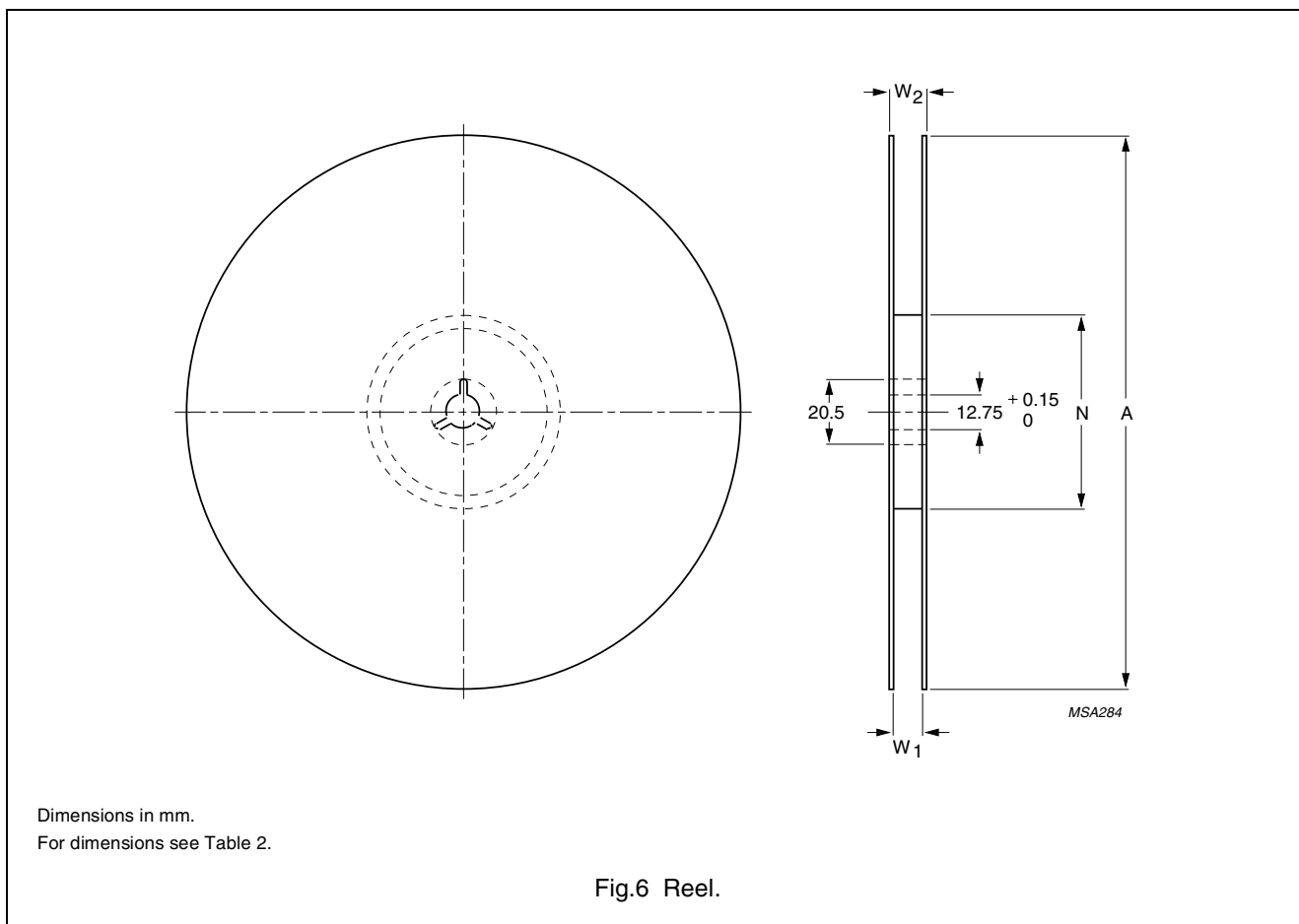


Table 2 Reel dimensions; see Fig.6

SIZE	DIMENSIONS (mm)			
	A	N	W ₁	W ₂
24	330	100 ±5	24.4	≤28.4

EMI-suppression products

SMD wideband chokes
metallized




DATA SHEET STATUS DEFINITIONS

DATA SHEET STATUS	PRODUCT STATUS	DEFINITIONS
Preliminary specification	Development	This data sheet contains preliminary data. Ferroxcube reserves the right to make changes at any time without notice in order to improve design and supply the best possible product.
Product specification	Production	This data sheet contains final specifications. Ferroxcube reserves the right to make changes at any time without notice in order to improve design and supply the best possible product.

DISCLAIMER

Life support applications — These products are not designed for use in life support appliances, devices, or systems where malfunction of these products can reasonably be expected to result in personal injury. Ferroxcube customers using or selling these products for use in such applications do so at their own risk and agree to fully indemnify Ferroxcube for any damages resulting from such application.

PRODUCT STATUS DEFINITIONS

STATUS	INDICATION	DEFINITION
Prototype		These are products that have been made as development samples for the purposes of technical evaluation only. The data for these types is provisional and is subject to change.
Design-in		These products are recommended for new designs.
Preferred		These products are recommended for use in current designs and are available via our sales channels.
Support		These products are not recommended for new designs and may not be available through all of our sales channels. Customers are advised to check for availability.